

9.22 VHF Circuit Board/Schematic Diagrams and Parts List (PCB 8486473Z03)



Figure 9-193. VHF (136-174 MHz) 5000/7000 Series Main Board Top Side PCB No. 8486473Z03

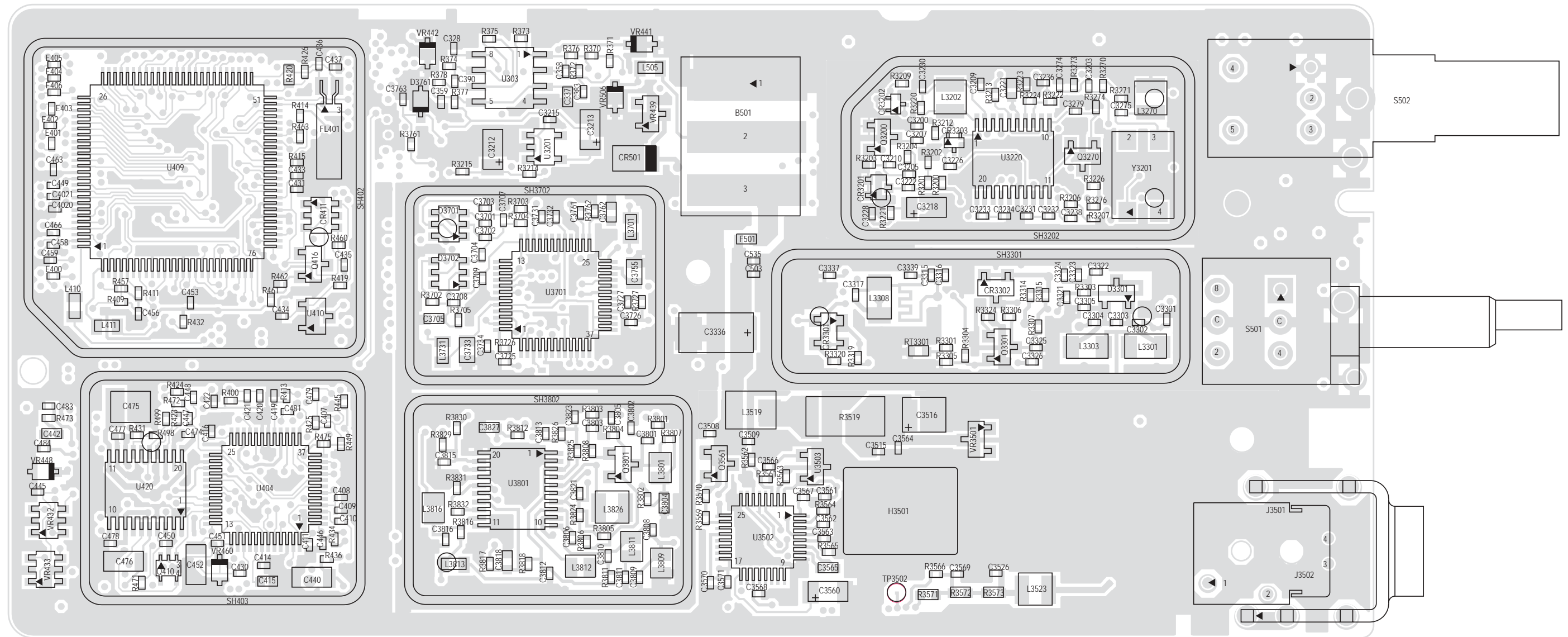


Figure 9-194. VHF (136-174 MHz) 5000/7000 Series Main Board Bottom Side PCB No. 8486473Z03

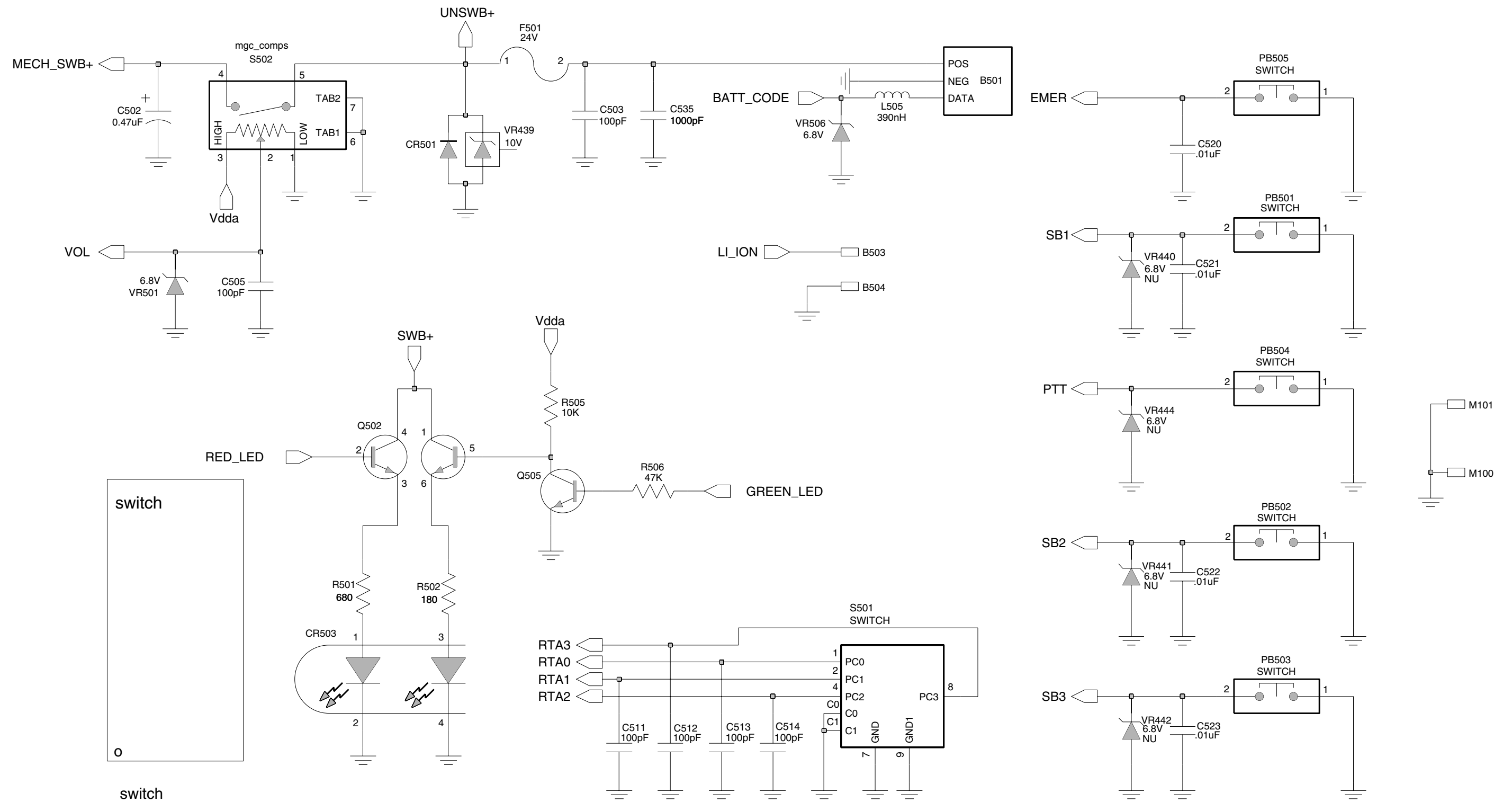


Figure 9-195. VHF (136-174 MHz) Controls And Switches Schematic Diagram

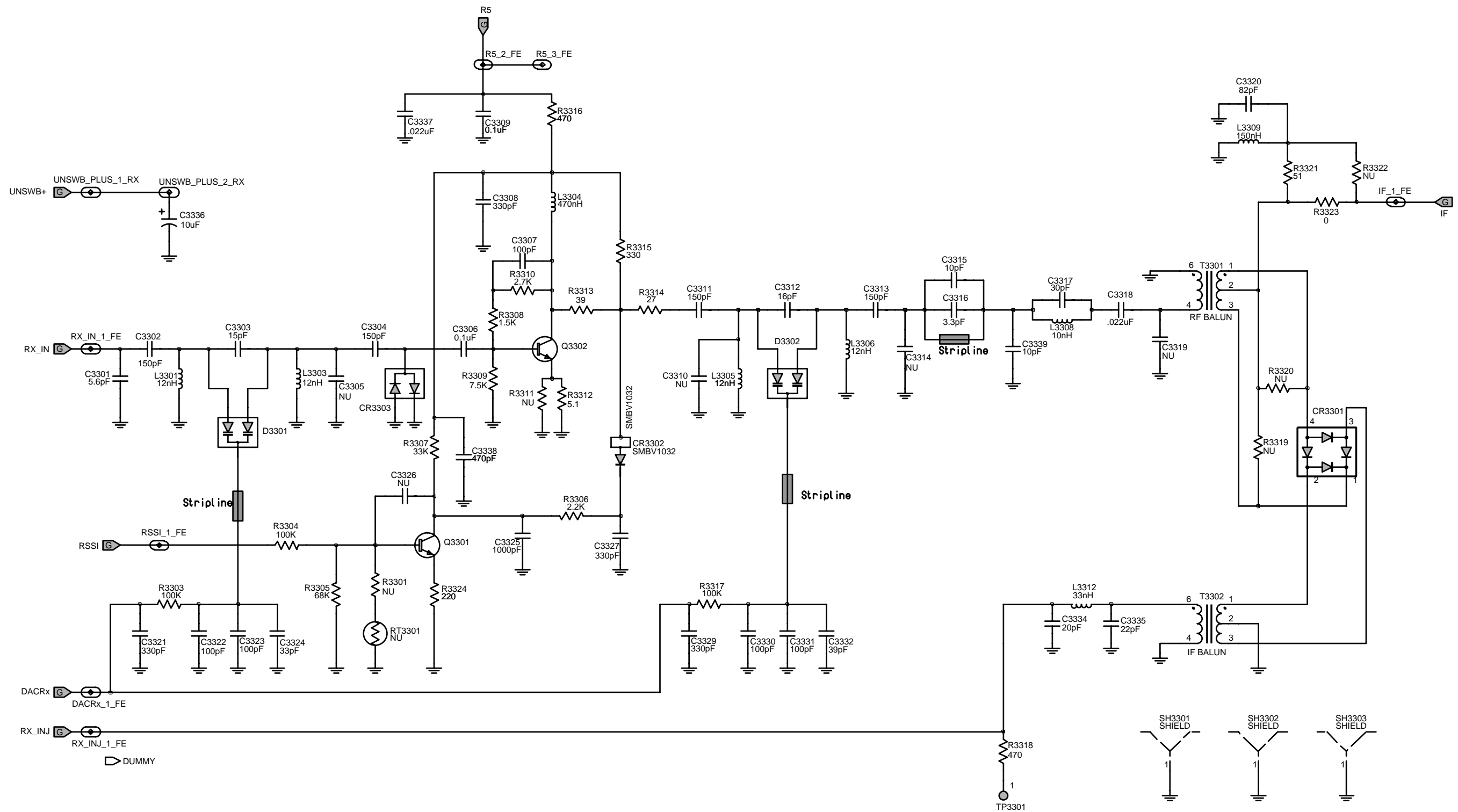


Figure 9-196. VHF (136-174 MHz) Receiver Front-End Schematic Diagram

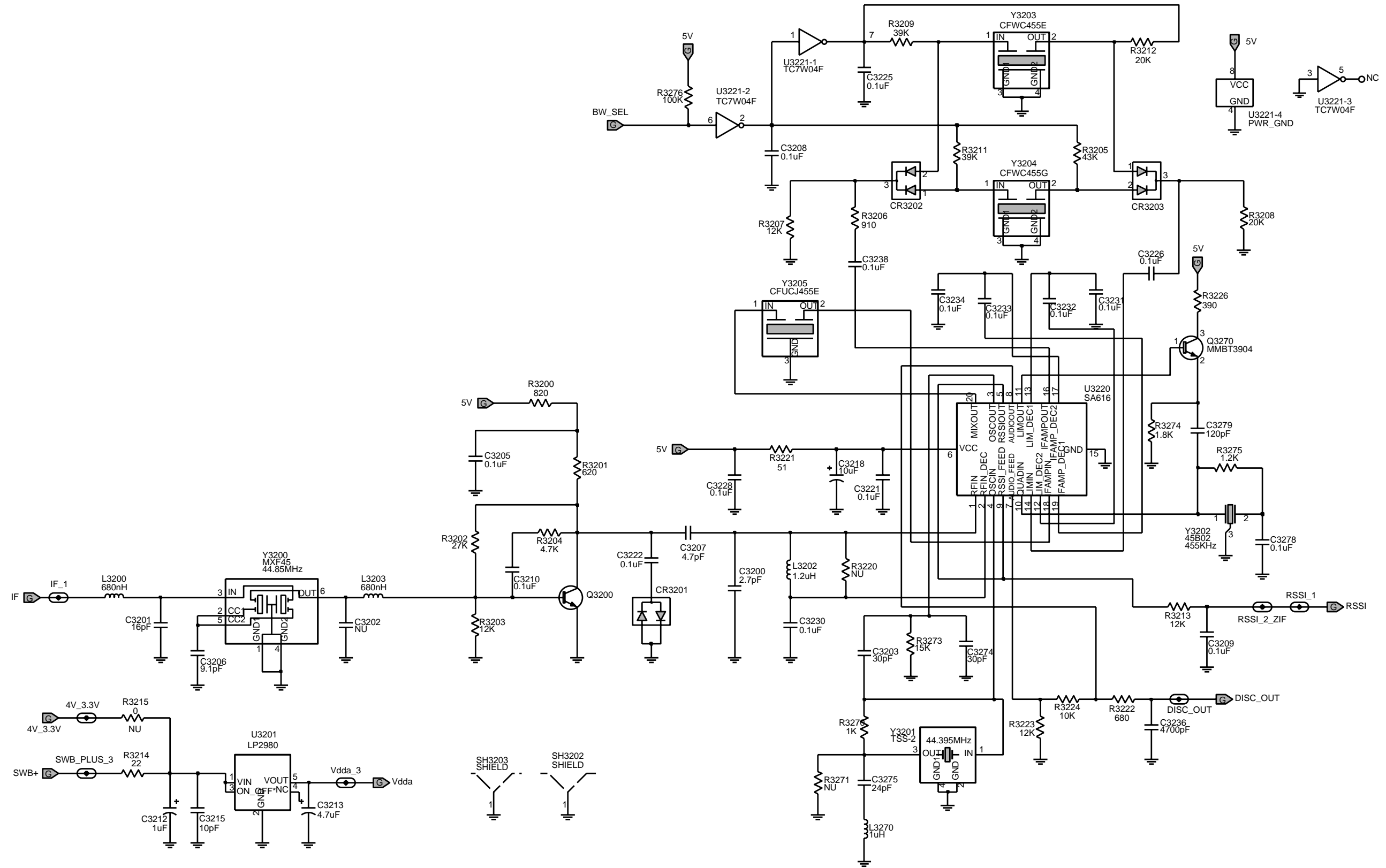
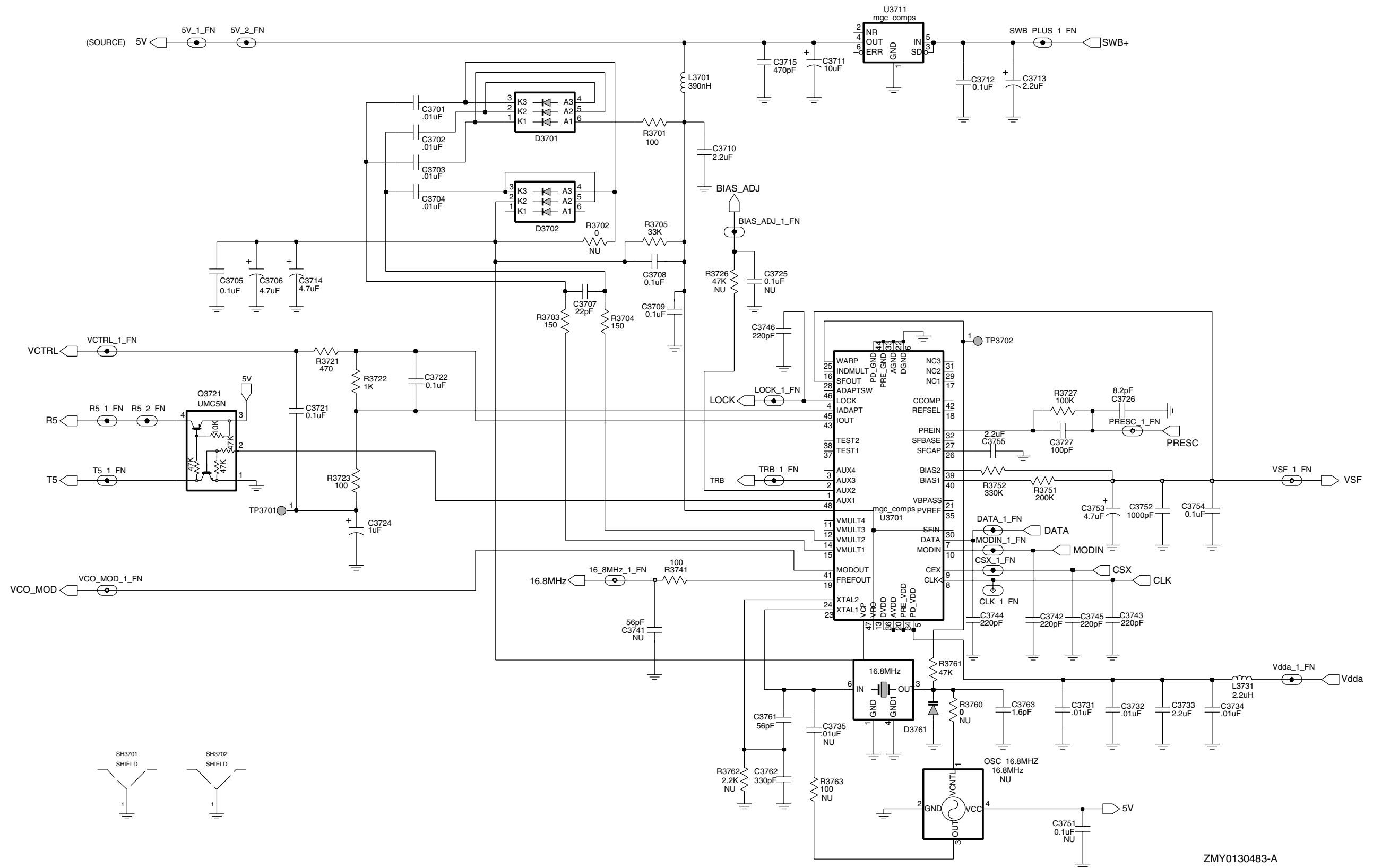


Figure 9-197. VHF (136-174 MHz) Receiver Back-End Schematic Diagram



ZMY0130483-A

Figure 9-198. VHF (136-174 MHz) Synthesizer Schematic Diagram

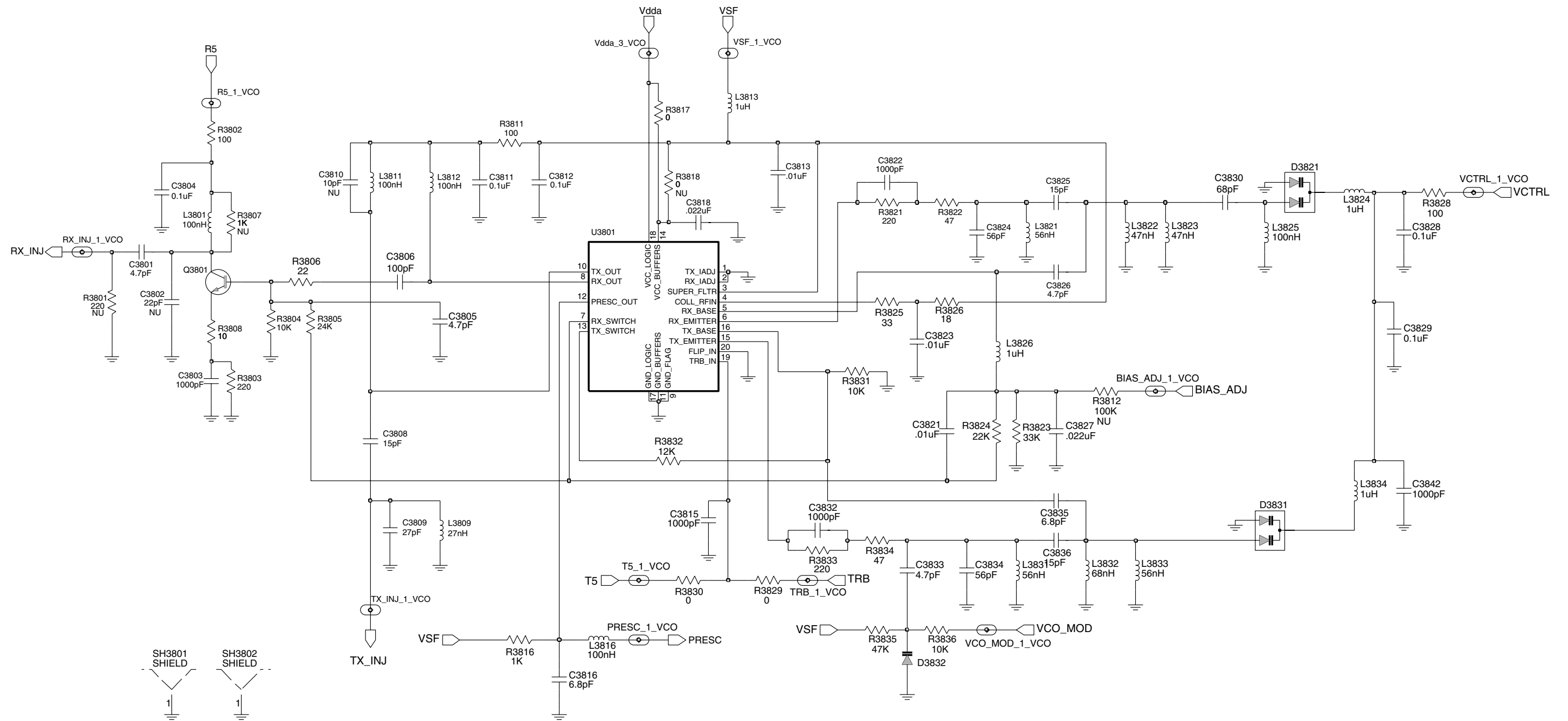


Figure 9-199. VHF (136-174 MHz) Voltage Controlled Oscillator Schematic Diagram

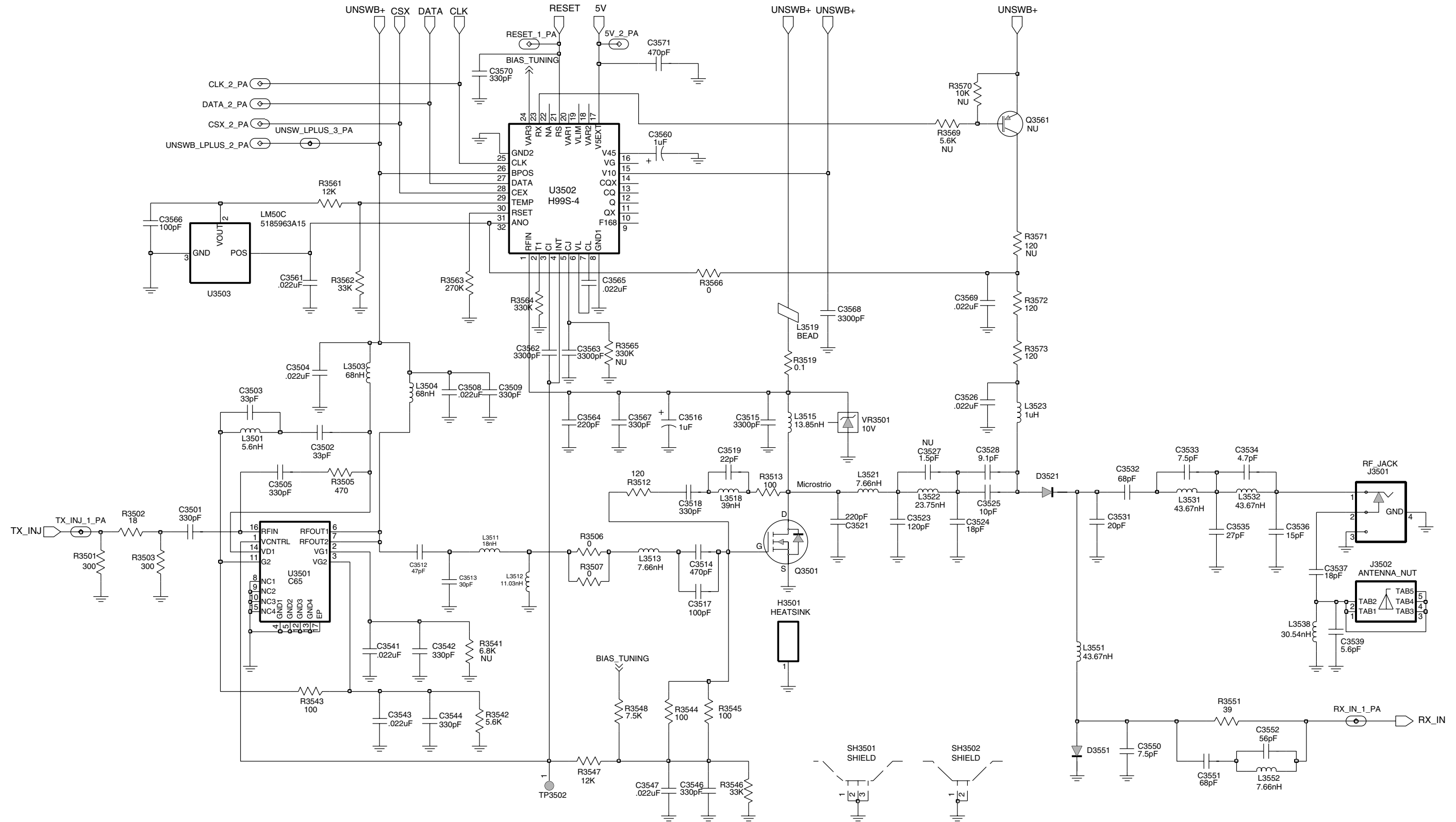


Figure 9-200. VHF (136-174 MHz) Transmitter Schematic Diagram

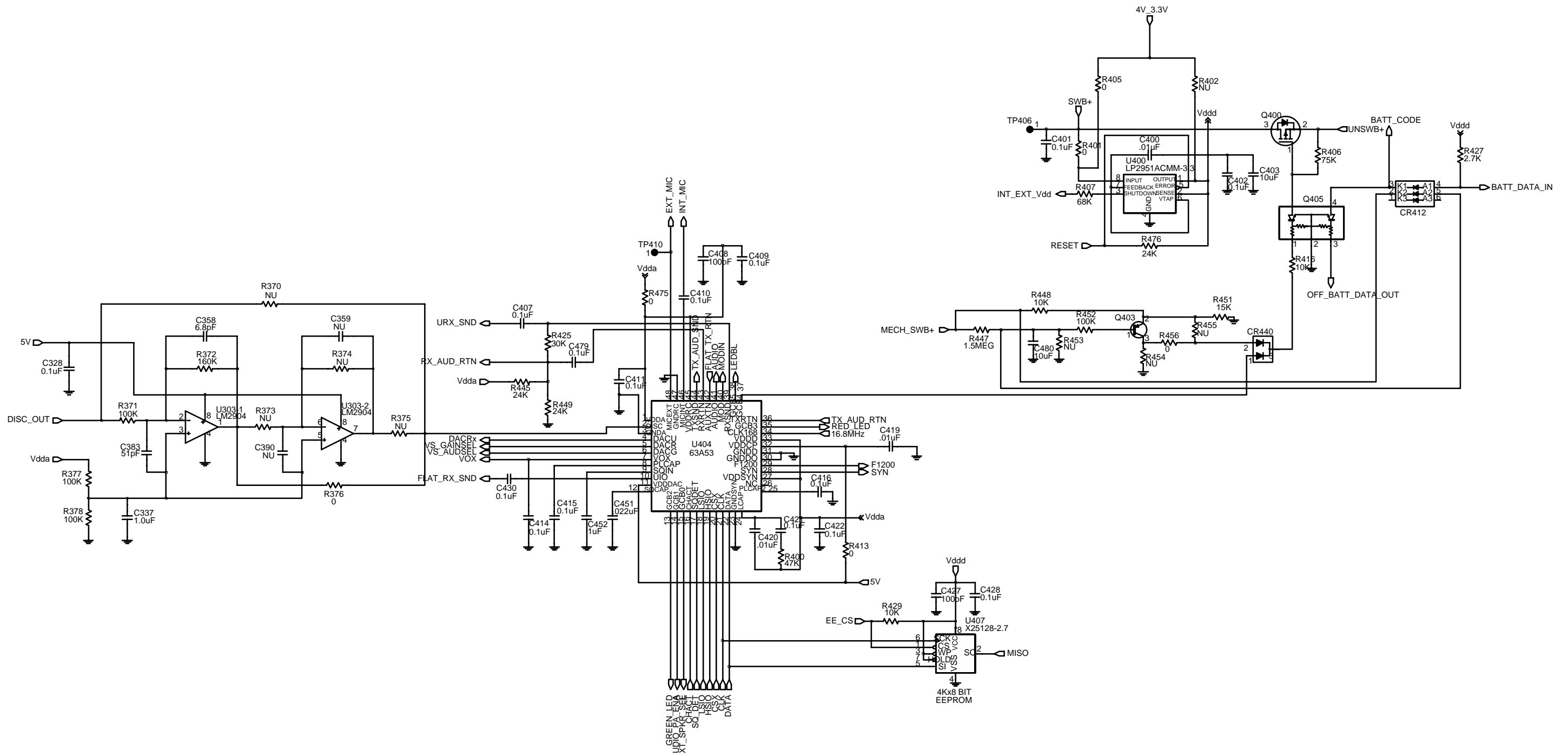


Figure 9-201. VHF (136-174 MHz) Controller ASFIC/ON_OFF Schematic Diagram

VHF (136-174 MHz) Radio Parts List (PCB 8486473Z03)

| Circuit Ref | Motorola Part No. | Description |
|-------------|-------------------|-----------------------------|
| B501 | 0986237A02 | Connector (Contact Battery) |
| B503 | 3980502Z01 | Backup Contact, B+ |
| B504 | 3980501Z01 | Backup Contact, B- |
| C3200 | 2113743N12 | 2.7pF |
| C3201 | 2113743N31 | 16pF |
| C3202 | NOT PLACED | |
| C3203 | 2113743N37 | 30pF |
| C3205 | 2113743M24 | 100nF |
| C3206 | 2109445U26 | 9.1pF 1% |
| C3207 | 2113743N18 | 4.7pF |
| C3208 | 2113743M24 | 100nF |
| C3209 | 2113743M24 | 100nF |
| C3210 | 2113743M24 | 100nF |
| C3212 | 2311049A07 | 1uF |
| C3213 | 2311049A56 | 4.7uF |
| C3215 | 2113743N26 | 10pF |
| C3218 | 2311049A59 | 4.7uF |
| C3221 | 2113743E20 | 0.1uF |
| C3222 | 2113743M24 | 100nF |
| C3225 | 2113743M24 | 100nF |
| C3226 | 2113743M24 | 100nF |
| C3228 | 2113743M24 | 100nF |
| C3230 | 2113743M24 | 100nF |
| C3231 | 2113743M24 | 100nF |
| C3232 | 2113743M24 | 100nF |
| C3233 | 2113743M24 | 100nF |
| C3234 | 2113743M24 | 100nF |
| C3236 | 2113743L33 | 4700pF |
| C3238 | 2113743M24 | 100nF |
| C3274 | 2113743N37 | 30pF |
| C3275 | 2113743N35 | 24pF |
| C3278 | 2113743E20 | 0.1uF |
| C3279 | 2113743N52 | 120pF |
| C328 | 2113743M24 | 100nF |
| C3301 | 2113743N20 | 5.6pF |
| C3302 | 2113743N54 | 150pF |
| C3303 | 2113743N30 | 15pF |

| Circuit Ref | Motorola Part No. | Description |
|-------------|-------------------|-------------|
| C3304 | 2113743N54 | 150pF |
| C3305 | NOT PLACED | |
| C3306 | 2113928N01 | 0.1uF |
| C3307 | 2113743N50 | 100pF |
| C3308 | 2113743L05 | 330pF |
| C3309 | 2113928N01 | 0.1uF |
| C3310 | NOT PLACED | |
| C3311 | 2113743N54 | 150pF |
| C3312 | 2113743N31 | 16pF |
| C3313 | 2113743N54 | 150pF |
| C3314 | NOT PLACED | |
| C3315 | 2113743N26 | 10pF |
| C3316 | 2113743N14 | 3.3pF |
| C3317 | 2113743N37 | 30pF |
| C3318 | 2113743M08 | 22000pF |
| C3319 | NOT PLACED | |
| C3320 | 2113743N48 | 82pF |
| C3321 | 2113743L05 | 330pF |
| C3322 | 2113743N50 | 100pF |
| C3323 | 2113743N50 | 100pF |
| C3324 | 2113743N38 | 33pF |
| C3325 | 2113743L17 | 1000pF |
| C3326 | NOT PLACED | |
| C3327 | 2113743L05 | 330pF |
| C3329 | 2113743L05 | 330pF |
| C3330 | 2113743N50 | 100pF |
| C3331 | 2113743N50 | 100pF |
| C3332 | 2113743N40 | 39pF |
| C3334 | 2113743N33 | 20pF |
| C3335 | 2113743N34 | 22pF |
| C3336 | 2311049A96 | 33uF |
| C3337 | 2113743M08 | 22000pF |
| C3338 | 2113743L09 | 470pF |
| C3339 | 2113743N26 | 10pF |
| C337 | 2113928P04 | 1uF |
| C3501 | 2113743L05 | 330pF |
| C3502 | 2113743N38 | 33pF |
| C3503 | 2113743N38 | 33pF |
| C3504 | 2113743M08 | 22000pF |

| Circuit Ref | Motorola Part No. | Description |
|-------------|-------------------|-------------|
| C3505 | 2113743N38 | 33pF |
| C3508 | 2113743M08 | 22000pF |
| C3509 | 2113743L05 | 330pF |
| C3512 | 2113740F43 | 47pF |
| C3513 | 2113740F38 | 30pF |
| C3514 | 2113740F47 | 68pF |
| C3515 | 2113743L29 | 3300pF |
| C3516 | 2311049A08 | 1uF |
| C3517 | 2113740F47 | 68pF |
| C3518 | NOT PLACED | |
| C3519 | NOT PLACED | |
| C3521 | 2111078B51 | 220pF |
| C3523 | 2111078B44 | 120pF |
| C3524 | 2113740F34 | 20pF |
| C3525 | 2113740F27 | 10pF |
| C3526 | 2113743M08 | 22000pF |
| C3527 | NOT PLACED | |
| C3528 | 2113740F27 | 10pF |
| C3531 | 2113740F34 | 20pF |
| C3532 | 2113740F47 | 68pF |
| C3533 | 2113740F24 | 7.5pF |
| C3534 | 2113740F19 | 4.7pF |
| C3535 | 2113740F37 | 27pF |
| C3536 | 2113740F31 | 15pF |
| C3537 | 2113740F33 | 18pF |
| C3539 | 2113740F29 | 12pF |
| C3541 | 2113743M08 | 22000pF |
| C3542 | 2113743L05 | 330pF |
| C3543 | 2113743M08 | 22000pF |
| C3544 | 2113743L05 | 330pF |
| C3546 | 2113743L05 | 330pF |
| C3547 | 2113743M08 | 22000pF |
| C3550 | 2113743N23 | 7.5pF |
| C3551 | 2113743N46 | 68pF |
| C3552 | 2113743N44 | 56pF |
| C3560 | 2311049A07 | 1uF |
| C3561 | 2113743M08 | 22000pF |
| C3562 | 2113743L29 | 3300pF |
| C3563 | 2113743L29 | 3300pF |

| Circuit Ref | Motorola Part No. | Description |
|-------------|-------------------|-------------|
| C3564 | 2113743L01 | 220pF |
| C3565 | 2113743E07 | 0.022uF |
| C3566 | 2113743N50 | 100pF |
| C3567 | 2113743L05 | 330pF |
| C3568 | 2113743L29 | 3300pF |
| C3569 | 2113743M08 | 22000pF |
| C3570 | 2113743L05 | 330pF |
| C3571 | 2113743L09 | 470pF |
| C358 | 2113743N22 | 6.8pF |
| C359 | 2113743N31 | 16pF |
| C3701 | 2113743L41 | 10000pF |
| C3702 | 2113743L41 | 10000pF |
| C3703 | 2113743L41 | 10000pF |
| C3704 | 2113743L41 | 10000pF |
| C3705 | 2113743E20 | 0.1uF |
| C3706 | 2311049J11 | 4.7uF |
| C3707 | 2113743N34 | 22pF |
| C3708 | 2113928N01 | 0.1uF |
| C3709 | 2113928N01 | 0.1uF |
| C3710 | 2104993J02 | 2.2uF |
| C3711 | 2311049A69 | 10uF |
| C3712 | 2113928N01 | 0.1uF |
| C3713 | 2311049A09 | 2.2uF |
| C3714 | 2311049J11 | 4.7uF |
| C3715 | 2113743L09 | 470pF |
| C3721 | 2113743E20 | 0.1uF |
| C3722 | 2113743E20 | 0.1uF |
| C3724 | 2311049A08 | 1uF |
| C3725 | NOT PLACED | |
| C3726 | 2113743N24 | 8.2pF |
| C3727 | 2113743N50 | 100pF |
| C3731 | 2113743L41 | 10000pF |
| C3732 | 2113743L41 | 10000pF |
| C3733 | 2104993J02 | 2.2uF |
| C3734 | 2113743L41 | 10000pF |
| C3741 | NOT PLACED | |
| C3742 | 2113743L01 | 220pF |
| C3743 | 2113743L01 | 220pF |
| C3744 | 2113743L01 | 220pF |

| Circuit Ref | Motorola Part No. | Description |
|-------------|-------------------|-------------|
| C3745 | 2113743L01 | 220pF |
| C3746 | 2113743L01 | 220pF |
| C3752 | 2113743L17 | 1000pF |
| C3753 | 2311049A56 | 4.7uF |
| C3754 | 2113928N01 | 0.1uF |
| C3755 | 2104993J02 | 2.2uF |
| C3761 | 2113743N42 | 47pF |
| C3762 | 2113740F63 | 330pF |
| C3763 | NOT PLACED | |
| C3801 | 2113743N18 | 4.7pF |
| C3802 | NOT PLACED | |
| C3803 | 2113743L17 | 1000pF |
| C3804 | 2113743E20 | 0.1uF |
| C3805 | 2113743N18 | 4.7pF |
| C3806 | 2113743N50 | 100pF |
| C3808 | 2113743N30 | 15pF |
| C3809 | 2113743N36 | 27pF |
| C3810 | NOT PLACED | |
| C3811 | 2113928N01 | 0.1uF |
| C3812 | 2113928N01 | 0.1uF |
| C3813 | 2113743L41 | 10000pF |
| C3815 | 2113743L17 | 1000pF |
| C3816 | 2113743N22 | 6.8pF |
| C3818 | 2113743E07 | 0.022uF |
| C3821 | 2113743L41 | 10000pF |
| C3822 | 2113743L17 | 1000pF |
| C3823 | 2113743L41 | 10000pF |
| C3824 | 2113743N44 | 56pF |
| C3825 | 2113743N30 | 15pF |
| C3826 | 2113743N18 | 4.7pF |
| C3827 | 2113743E07 | 0.022uF |
| C3828 | 2185895Z01 | 0.01uF |
| C3829 | 2185895Z01 | 0.01uF |
| C383 | 2113743N43 | 51pF |
| C3830 | 2113743N46 | 68pF |
| C3832 | 2113743L17 | 1000pF |
| C3833 | 2113743N18 | 4.7pF |
| C3834 | 2113743N44 | 56pF |
| C3835 | 2113743N22 | 6.8pF |

| Circuit Ref | Motorola Part No. | Description |
|-------------|--------------------------|--|
| C3836 | 2113743N30 | 15pF |
| C3842 | 2113743L17 | 1000pF |
| C390 | 2113743N43 | 51pF |
| C400 | 2113743L41 | 10000pF |
| C401 | 2113928N01 | 0.1uF |
| C402 | 2113928N01 | 0.1uF |
| C4020 | NOT PLACED | |
| C4021 | NOT PLACED | |
| C403 | 2113743G24 | 2.2uF |
| C407 | 2113928N01 | 0.1uF |
| C408 | 2113743N50 | 100pF |
| C409 | 2113928N01 | 0.1uF |
| C410 | 2113928N01 | 0.1uF |
| C411 | 2113928N01 | 0.1uF |
| C414 | 2113928N01 | 0.1uF |
| C415 | 2185895Z01 | 0.01uF |
| C416 | 2113928N01 | 0.1uF |
| C419 | 2113743L41 | 10000pF |
| C420 | 2113743L41 | 10000pF |
| C421 | 2113928N01 | 0.1uF |
| C422 | 2113928N01 | 0.1uF |
| C423 | 2113743N50 | 100pF |
| C424 | 2311049A59 | 10uF |
| C425 | 2113928N01 | 0.1uF |
| C426 | 2113743N50 | 100pF |
| C427 | 2113743N50 | 100pF |
| C428 | 2113928N01 | 0.1uF |
| C429 | 2113928N01 | 0.1uF |
| C430 | 2113928N01 0662057M01 | 0.1uF, 10% 0 (SUB on LS+ Models Only) |
| C431 | 2113743N50 | 100pF |
| C432 | NOT PLACED | |
| C433 | 2113743N34 | 22pF |
| C434 | 2113928N01 | 0.1uF |
| C435 | 2113928N01 | 0.1uF |
| C436 | 2113743N34 | 22pF |
| C437 | 2113743N34 | 22pF |
| C440 | 2113743G26 | 4.7uF |
| C441 | 2113743L09 | 470pF |

| Circuit Ref | Motorola Part No. | Description |
|-------------|--------------------------|--|
| C442 | 2113743E20 | 0.1uF |
| C443 | 2113928N01 | 0.1uF |
| C444 | 2113743N50 | 100pF |
| C445 | 2113743L09 | 470pF |
| C446 | 2113743L09 | 470pF |
| C447 | 2113928N01 | 0.1uF |
| C448 | 2113928N01 | 0.1uF |
| C449 | 2113743N50 | 100pF |
| C450 | NOT PLACED | |
| C451 | 2113743M08 | 22000pF |
| C452 | 2113743B29 | 1uF |
| C453 | 2113743N50 | 100pF |
| C456 | 2113743N50 | 100pF |
| C458 | 2113743N50 | 100pF |
| C459 | 2113743N50 | 100pF |
| C463 | 2113743N50 | 100pF |
| C466 | 2113743N50 | 100pF |
| C467 | 2113928N01 | 0.1uF |
| C471 | 2113743L09 | 470pF |
| C472 | 2113743L09 | 470pF |
| C473 | 2113743L09 | 470pF |
| C474 | 2113743L41 | 10000pF |
| C475 | 2113743H14 | 10uF |
| C476 | 2113928D08 | 10uF |
| C477 | 2113743L17 | 1000pF |
| C478 | 2113743L17 | 1000pF |
| C479 | 2113928N01 | 0.1uF |
| C480 | 2113928D08 | 10uF |
| C481 | 2113928N01 | 0.1uF |
| C482 | 2113928N01 0662057M01 | 0.1uF, 10% 0 (SUB on LS+ Models Only) |
| C483 | 2113743L09 | 470pF |
| C484 | 2113743L09 | 470pF |
| C490 | 2113743L09 | 470pF |
| C491 | 2113743L09 | 470pF |
| C492 | 2113743L09 | 470pF |
| C493 | 2113743N50 | 100pF |
| C494 | 2113743N50 | 100pF |
| C495 | 2113743L09 | 470pF |

| Circuit Ref | Motorola Part No. | Description |
|-------------|-------------------|----------------------|
| C496 | 2113743L09 | 470pF |
| C497 | 2113743L09 | 470pF |
| C502 | 2311049A05 | 0.47uF |
| C503 | 2113743N50 | 100pF |
| C505 | 2113743N50 | 100pF |
| C511 | 2113743N50 | 100pF |
| C512 | 2113743N50 | 100pF |
| C513 | 2113743N50 | 100pF |
| C514 | 2113743N50 | 100pF |
| C520 | 2113743L41 | 10000pF |
| C521 | 2113743L41 | 10000pF |
| C522 | 2113743L41 | 10000pF |
| C523 | 2113743L41 | 10000pF |
| C535 | 2113743L17 | 1000pF |
| CR3201 | 4813825A19 | Schottky Diode |
| CR3202 | 4802245J97 | Band Switching Diode |
| CR3203 | 4802245J97 | Band Switching Diode |
| CR3301 | 4802245J42 | Ring Quad Diode |
| CR3302 | 4805129M96 | Dual Diode |
| CR3303 | 4880154K03 | Dual Diode |
| CR411 | 4802245J62 | Schottkt Diode |
| CR412 | 4802245J62 | Schottkt Diode |
| CR413 | 4802245J62 | Schottkt Diode |
| CR440 | 4813833C02 | Dual Diode |
| CR501 | 4880107R01 | Rectifier |
| CR503 | 4805729G49 | Red / Yellow LED |
| D3301 | 4802081B58 | Dual Diode |
| D3302 | 4802081B58 | Dual Diode |
| D3521 | 4880973Z02 | Pin Diode |
| D3551 | 4880973Z02 | Pin Diode |
| D3701 | 4802233J09 | Triple Diode |
| D3702 | 4802233J09 | Triple Diode |
| D3761 | 4862824C03 | Varactor Diode |
| D3821 | 4805649Q13 | Varactor Diode |
| D3831 | 4805649Q13 | Varactor Diode |
| D3832 | 4862824C01 | Varactor Diode |
| E400 | 2480640Z01 | Ferrite Bead |
| E401 | 2480640Z01 | Ferrite Bead |
| E402 | 2480640Z01 | Ferrite Bead |

| Circuit Ref | Motorola Part No. | Description |
|-------------|-------------------|------------------------------------|
| E403 | 2480640Z01 | Ferrite Bead |
| E404 | 2480640Z01 | Ferrite Bead |
| E405 | 2480640Z01 | Ferrite Bead |
| E406 | 2480640Z01 | Ferrite Bead |
| E407 | 2480640Z01 | Ferrite Bead |
| E408 | 2480640Z01 | Ferrite Bead |
| E409 | 2480640Z01 | Ferrite Bead |
| F501 | 6580542Z01 | Fuse 3A |
| FL401 | 4870368G02 | Real Time Clock Crystal Oscillator |
| H3501 | 2680499Z01 | Heat Spreader |
| J3501 | 0985613Z01 | RF Jack |
| J3502 | 0280519Z04 | Antenna Nut |
| J400 | 0905505Y04 | 40-Pin Connector |
| J403 | 0905505Y02 | 20-Pin Connector |
| L3200 | 2413926K33 | 680nH |
| L3202 | 2413923A25 | 1200nH |
| L3203 | 2413926K33 | 680nH |
| L3270 | 2462587N68 | 1000nH |
| L3301 | 2462587T35 | 12nH |
| L3303 | 2462587T35 | 12nH |
| L3304 | 2462587T23 | 470nH |
| L3305 | 2462587T35 | 12nH |
| L3306 | 2462587T35 | 12nH |
| L3308 | 2462587T34 | 10nH |
| L3309 | 2462587N55 | 150nH |
| L3312 | 2462587V28 | 33nH |
| L3501 | 2413926H09 | 5.6nH |
| L3503 | 2462587V32 | 68nH |
| L3504 | 2462587N51 | 68nH |
| L3511 | 2462587N44 | 18nH |
| L3512 | 2479990B01 | 11.03nH |
| L3513 | 2479990A02 | 7.6nH |
| L3515 | 2479990C03 | 13.85nH |
| L3518 | NOT PLACED | |
| L3519 | 2484657R01 | Ferrite Bead |
| L3521 | 2479990A02 | 7.6nH |
| L3522 | 2479990E01 | 23.75nH |
| L3523 | 2462587N68 | 1000nH |

| Circuit Ref | Motorola Part No. | Description |
|-------------|-------------------|--------------------|
| L3531 | 2479990N01 | 43.67nH |
| L3532 | 2479990N01 | 43.67nH |
| L3538 | 2479990M01 | 30.54nH |
| L3551 | 2479990N01 | 43.67nH |
| L3552 | 2479990A02 | 7.6nH |
| L3701 | 2462587Q42 | 390nH |
| L3731 | 2462587Q20 | 2,200nH |
| L3801 | 2462587V34 | 100nH |
| L3809 | 2462587V27 | 27nH |
| L3811 | 2462587V34 | 100nH |
| L3812 | 2462587V34 | 100nH |
| L3813 | 2462587Q47 | 1000nH |
| L3816 | 2462587V34 | 100nH |
| L3821 | 2462587N50 | 56nH |
| L3822 | 2462587N49 | 47nH |
| L3823 | 2462587N49 | 47nH |
| L3824 | 2462587N68 | 1000nH |
| L3825 | 2462587V34 | 100nH |
| L3826 | 2462587N68 | 1000nH |
| L3831 | 2462587N50 | 56nH |
| L3832 | 2462587N51 | 68nH |
| L3833 | 2462587N50 | 56nH |
| L3834 | 2462587N68 | 1000nH |
| L400 | 2462587Q42 | 390nH |
| L401 | 2462587Q42 | 390nH |
| L410 | 2462587Q42 | 390nH |
| L411 | 2462587Q42 | 390nH |
| L505 | 2462587Q42 | 390nH |
| PB501 | 4086470Z01 | Tactile Switch |
| PB502 | 4086470Z01 | Tactile Switch |
| PB503 | 4086470Z01 | Tactile Switch |
| PB504 | 4086470Z01 | Tactile Switch |
| PB505 | 4086470Z01 | Tactile Switch |
| Q3200 | 4802197J95 | NPN Transistor |
| Q3270 | 4813824A10 | NPN Transistor |
| Q3301 | 4880214G02 | NPN Transistor |
| Q3302 | 4802197J95 | NPN Transistor |
| Q3501 | 4813828A08 | RF Power Amplifier |
| Q3561 | 4813824A17 | PNP Transistor |

| Circuit Ref | Motorola Part No. | Description |
|-------------|-------------------|--------------------------|
| Q3721 | 4809939C05 | Dual NPN/PNP Transistor |
| Q3801 | 4802197J95 | NPN Transistor |
| Q400 | 4809579E18 | MOSFET P-chan Transistor |
| Q403 | 4813824A17 | PNP Transistor |
| Q405 | 4802245J54 | Dual NPN Transistor |
| Q410 | 4802245J54 | Dual NPN Transistor |
| Q416 | 4809579E18 | MOSFET P-chan Transistor |
| Q417 | 4809939C05 | Dual NPN/PNP Transistor |
| Q502 | 5180159R01 | Dual NPN Transistor |
| Q505 | 4880214G02 | NPN Transistor |
| R3200 | 0662057M72 | 820 |
| R3201 | 0662057M69 | 620 |
| R3202 | 0662057N09 | 27K |
| R3203 | 0662057N01 | 12K |
| R3204 | 0662057M90 | 4700 |
| R3205 | 0662057N06 | 20K |
| R3206 | 0662057M73 | 910 |
| R3207 | 0662057N01 | 12K |
| R3208 | 0662057N06 | 20K |
| R3209 | 0662057N13 | 39K |
| R3211 | 0662057N13 | 39K |
| R3212 | 0662057N06 | 20K |
| R3213 | 0662057N01 | 12K |
| R3214 | 0662057M34 | 22 |
| R3215 | 0662057M01 | 0 |
| R3220 | NOT PLACED | |
| R3221 | 0662057M43 | 51 |
| R3222 | 0662057M70 | 680 |
| R3223 | 0662057V04 | 12K 1% |
| R3224 | 0662057V02 | 10K 1% |
| R3226 | 0662057M64 | 390 |
| R3270 | 0662057M74 | 1000 |
| R3271 | NOT PLACED | |
| R3273 | 0662057N03 | 15K |
| R3274 | 0662057M80 | 1800 |
| R3275 | 0662057M76 | 1200 |
| R3276 | 0662057N23 | 100K |
| R3301 | NOT PLACED | |
| R3303 | 0662057N23 | 100K |

| Circuit Ref | Motorola Part No. | Description |
|-------------|-------------------|-------------|
| R3304 | 0662057N23 | 100K |
| R3305 | 0662057N19 | 68K |
| R3306 | 0662057M82 | 2200 |
| R3307 | 0662057N11 | 33K |
| R3308 | 0662057M78 | 1500 |
| R3309 | 0662057M95 | '7500 |
| R3310 | 0662057M84 | 2700 |
| R3311 | NOT PLACED | |
| R3312 | 0662057M19 | 5.1 |
| R3313 | 0662057M40 | 39 |
| R3314 | 0662057M35 | 24 |
| R3315 | 0662057M62 | 330 |
| R3316 | 0662057M66 | 470 |
| R3317 | 0662057N23 | 100K |
| R3318 | 0662057M66 | 470 |
| R3319 | NOT PLACED | |
| R3320 | NOT PLACED | |
| R3321 | 0662057M43 | 51 |
| R3322 | NOT PLACED | |
| R3323 | 0662057M01 | 0 |
| R3324 | 0662057M58 | 220 |
| R3501 | 0662057M61 | 300 |
| R3502 | 0662057M32 | 18 |
| R3503 | 0662057M61 | 300 |
| R3505 | 0662057M62 | 330 |
| R3506 | 0662057B62 | 3.9 |
| R3507 | 0662057B62 | 3.9 |
| R3512 | NOT PLACED | |
| R3513 | NOT PLACED | |
| R3519 | 0680539Z01 | 0.1 |
| R3541 | 0662057N13 | 39K |
| R3542 | 0662057M92 | 5600 |
| R3543 | 0662057M50 | 100 |
| R3544 | 0662057A25 | 100 |
| R3545 | 0662057A25 | 100 |
| R3546 | 0662057N01 | 12K |
| R3547 | 0662057N11 | 33K |
| R3548 | 0662057N07 | 22K |
| R3551 | 0662057M40 | 39 |

| Circuit Ref | Motorola Part No. | Description |
|-------------|-------------------|-------------|
| R3561 | 0662057N01 | 12K |
| R3562 | 0662057N11 | 33K |
| R3563 | 0662057N33 | 270K |
| R3564 | 0662057N35 | 330K |
| R3565 | NOT PLACED | |
| R3566 | NOT PLACED | |
| R3569 | 0662057M92 | 5600 |
| R3570 | 0662057M98 | 10K |
| R3571 | 0662057A27 | 120 |
| R3572 | 0662057A27 | 120 |
| R3573 | 0662057A27 | 120 |
| R370 | NOT PLACED | |
| R3701 | 0662057M50 | 100 |
| R3702 | NOT PLACED | |
| R3703 | 0662057M54 | 150 |
| R3704 | 0662057M54 | 150 |
| R3705 | 0662057N11 | 33K |
| R371 | 0662057N23 | 100K |
| R372 | 0662057N28 | 160K |
| R3721 | 0662057M66 | 470 |
| R3722 | 0662057M68 | 560 |
| R3723 | 0662057M50 | 100 |
| R3726 | NOT PLACED | |
| R3727 | 0662057N23 | 100K |
| R373 | NOT PLACED | |
| R374 | 0662057N23 | 100K |
| R3741 | 0662057M50 | 100 |
| R375 | NOT PLACED | |
| R3751 | 0662057N30 | 200K |
| R3752 | 0662057N29 | 180K |
| R376 | 0662057M01 | 0 |
| R3761 | 0662057N15 | 47K |
| R3762 | NOT PLACED | |
| R377 | 0662057N23 | 100K |
| R378 | 0662057N23 | 100K |
| R3801 | NOT PLACED | |
| R3802 | 0662057M50 | 100 |
| R3803 | 0662057M58 | 220 |
| R3804 | 0662057M98 | 10K |

| Circuit Ref | Motorola Part No. | Description |
|-------------|-------------------|-------------|
| R3805 | 0662057N08 | 24K |
| R3806 | 0662057M34 | 22 |
| R3807 | NOT PLACED | |
| R3808 | 0662057M26 | 10 |
| R3811 | 0662057M50 | 100 |
| R3812 | NOT PLACED | |
| R3816 | 0662057M74 | 1000 |
| R3817 | 0662057M01 | 0 |
| R3818 | NOT PLACED | |
| R3821 | 0662057M58 | 220 |
| R3822 | 0662057M42 | 47 |
| R3823 | 0662057N11 | 33K |
| R3824 | 0662057N07 | 22K |
| R3825 | 0662057M38 | 33 |
| R3826 | 0662057M32 | 18 |
| R3828 | 0662057M50 | 100 |
| R3829 | 0662057M01 | 0 |
| R3830 | NOT PLACED | |
| R3831 | 0662057M98 | 10K |
| R3832 | 0662057N01 | 12K |
| R3833 | 0662057M58 | 220 |
| R3834 | 0662057M42 | 47 |
| R3835 | 0662057N15 | 47K |
| R3836 | 0662057M98 | 10K |
| R400 | 0662057N15 | 47K |
| R401 | 0662057M01 | 0 |
| R402 | NOT PLACED | |
| R403 | NOT PLACED | |
| R405 | 0662057M01 | 0 |
| R406 | 0662057N20 | '75K |
| R407 | 0662057N19 | 68K |
| R408 | NOT PLACED | |
| R409 | 0662057M98 | 10K |
| R410 | 0662057N23 | 100K |
| R411 | 0662057M98 | 10K |
| R413 | 0662057M01 | 0 |
| R414 | 0662057V34 | 180K 1% |
| R415 | 0662057V26 | 91K 1% |
| R416 | 0662057M98 | 10K |

| Circuit Ref | Motorola Part No. | Description |
|-------------|-------------------|-------------|
| R418 | 0662057M01 | 0 |
| R419 | 0662057M67 | 510 |
| R420 | 0662057B46 | 10M |
| R421 | 0662057M81 | 2000 |
| R423 | 0662057N21 | 82K |
| R424 | 0662057N12 | 36K |
| R425 | 0662057N10 | 30K |
| R426 | 0662057N35 | 330K |
| R427 | 0662057M84 | 2700 |
| R428 | 0662057M10 | 2.2' |
| R429 | 0662057N20 | '75K |
| R431 | 0662057N39 | 470K |
| R432 | 0662057N16 | 51K |
| R434 | 0662057M62 | 330 |
| R435 | 0662057M81 | 2000 |
| R436 | 0662057M01 | 0 |
| R437 | NOT PLACED | |
| R445 | 0662057N08 | 24K |
| R447 | 0662057N23 | 100K |
| R448 | 0662057M98 | 10K |
| R449 | 0662057N08 | 24K |
| R450 | 0683962T45 | 68 |
| R451 | 0662057N03 | 15K |
| R452 | 0662057N23 | 100K |
| R453 | NOT PLACED | |
| R454 | NOT PLACED | |
| R455 | NOT PLACED | |
| R456 | 0662057M01 | 0 |
| R457 | 0662057M98 | 10K |
| R460 | 0662057M90 | 4700 |
| R461 | 0662057M56 | 180 |
| R462 | 0662057M98 | 10K |
| R463 | 0662057M61 | 300 |
| R471 | 0662057N06 | 20K |
| R472 | 0662057M93 | 6200 |
| R473 | 0662057M26 | 10 |
| R475 | 0662057M01 | 0 |
| R476 | 0662057N35 | 330K |
| R477 | 0662057M74 | 1000 |

| Circuit Ref | Motorola Part No. | Description |
|-------------|-------------------|----------------------------------|
| R478 | 0662057M98 | 10K |
| R481 | 0662057N08 | 24K |
| R492 | 0662057M01 | 0 |
| R498 | 0662057M98 | 10K |
| R499 | 0662057M98 | 10K |
| R501 | 0662057M70 | 680 |
| R502 | 0662057M56 | 180 |
| R505 | 0662057M98 | 10K |
| R506 | 0662057N15 | 47K |
| RT3301 | NOT PLACED | |
| RT400 | 0680590Z01 | Thermistor 33K |
| S501 | 4080710Z09 | Frequency Switch |
| S502 | 1880619Z02 | Volume/on-off Switch |
| SH3202 | 2686539Z01 | IFIC Shield |
| SH3203 | 2686527Z01 | Crystal Filter Shield |
| SH3301 | 2686081B01 | RX Frontend bottom Shield |
| SH3302 | 2686081B05 | Mixer Shield |
| SH3303 | 2686081B06 | RX Frontend top Shield |
| SH3501 | 2686081B03 | Harmonic Filter Shield |
| SH3502 | 2686081B04 | PA Driver Shield |
| SH3701 | 2680511Z01 | Synthesizer top Shield |
| SH3702 | 2680511Z01 | Synthesizer bottom Shield |
| SH3801 | 2680513Z01 | VCO top shield |
| SH3802 | 2680514Z01 | VCO Bottom Shield |
| SH400 | 2680505Z01 | Controller Memory Shield |
| SH401 | 2680506Z01 | Controller on-off Shield |
| SH402 | 2680515Z01 | Controller Microprocessor Shield |
| SH403 | 2680516Z01 | Controller Asfic Shield |
| T3301 | 2580541Z02 | Transformer |
| T3302 | 2580541Z02 | Transformer |
| U303 | 5113818A01 | Dual Op Amp |
| U3201 | 5102463J58 | 3.3V Regulator |
| U3220 | 5186144B01 | IF IC |
| U3221 | 5109522E10 | Inverter IC |
| U3501 | 5185130C65 | LDMOS Driver IC |
| U3502 | 5185765B26 | PCIC |
| U3503 | 5185963A15 | Temperature Sensor |
| U3701 | 5185130C18 | LV FRAC-N IC |

| Circuit Ref | Motorola Part No. | Description |
|-------------|-------------------|------------------------------|
| U3711 | 5105739X05 | 5V Regulator |
| U3801 | 5105750U54 | VCO BUFFER IC |
| U400 | 5102463J40 | 3.3V Regulator |
| U404 | 5185130C53 | ASFIC CMP IC |
| U405 | NOT PLACED | |
| U406 | *5102463J59 | 128K X 8 FLASH ROM |
| U407 | *5102463J64 | 16K X 8 EEPROM |
| U409 | 5102226J56 | Microprocessor IC |
| U410 | 5102463J57 | 3.3V Regulator |
| U420 | 5102463J44 | Audio PA |
| VR3501 | 4880140L17 | Zener Diode |
| VR432 | 4805656W08 | Zener Diode |
| VR433 | 4805656W08 | Zener Diode |
| VR434 | 4802245J73 | Zener Diode 6.8V |
| VR439 | 4880140L17 | Zener Diode |
| VR440 | NOT PLACED | |
| VR441 | NOT PLACED | |
| VR442 | NOT PLACED | |
| VR444 | NOT PLACED | |
| VR447 | 4802245J74 | Zener Diode 10V |
| VR448 | 4802245J74 | Zener Diode 10V |
| VR449 | 4802245J74 | Zener Diode 10V |
| VR450 | 4802245J75 | Zener Diode 12V |
| VR460 | 4802245J73 | Zener Diode 6.8V |
| VR501 | 4802245J73 | Zener Diode 6.8V |
| VR506 | 4802245J73 | Zener Diode 6.8V |
| Y3200 | 9180022M11 | 44.85MHZ Crystal Filter |
| Y3201 | 4802245J84 | 44.395MHz Crystal Oscillator |
| Y3202 | 9186145B02 | 455KHZ Discriminator |
| Y3203 | 9180469V05 | 455KHz 6-Pole Ceramic Filter |
| Y3204 | 9180469V03 | 455KHz 6-Pole Ceramic Filter |
| Y3205 | 9180468V05 | 455KHz 4-Pole Ceramic Filter |
| Y3761 | 4805875Z04 | 16.8 MHZ Crystal Oscillator |
| | 8486473Z01 | VHF main PC Board |

* Motorola Depot Servicing only

9.23 VHF Circuit Board/Schematic Diagrams and Parts List (PCB 8486473Z04)

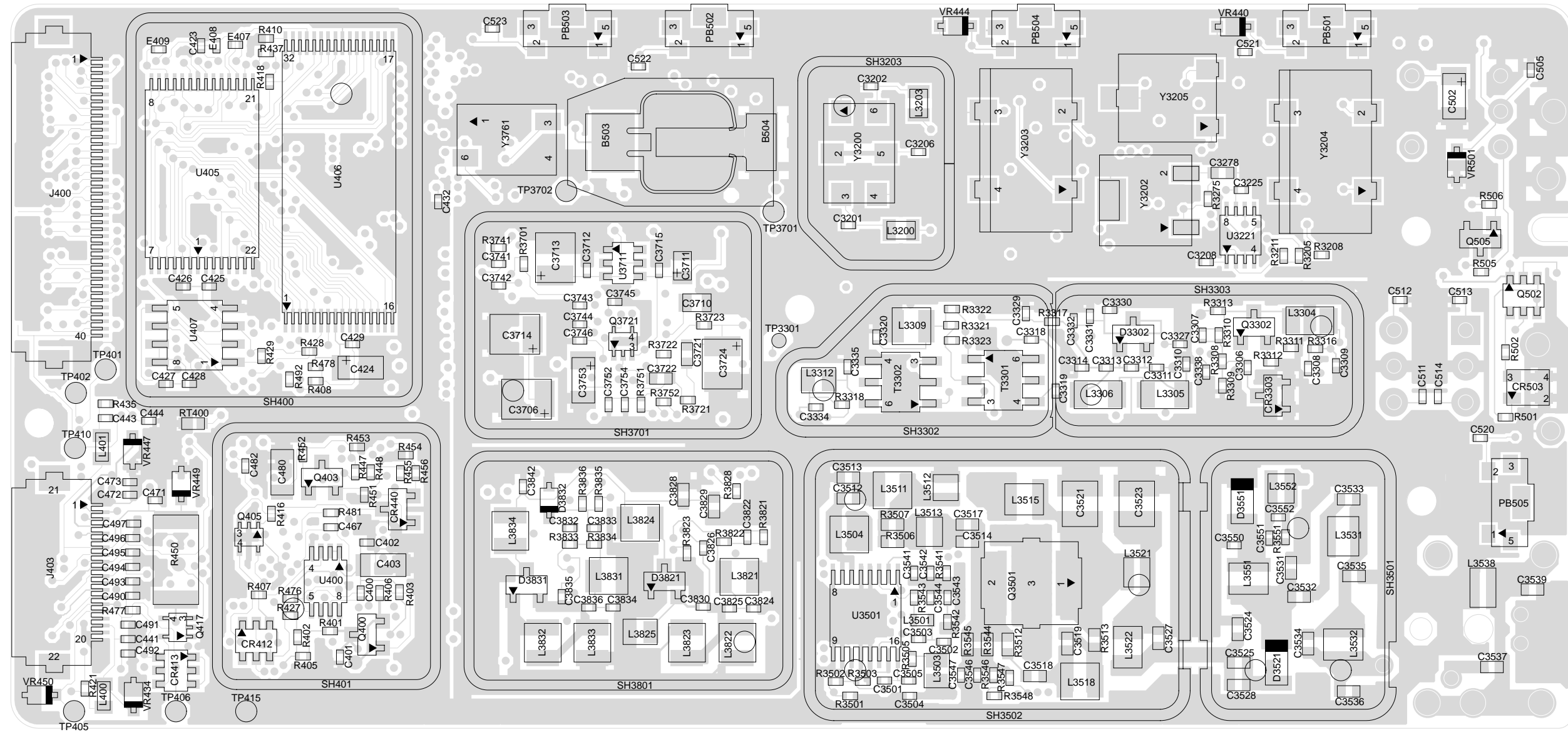


Figure 9-202. VHF (136-174 MHz) 5000/7000 Series Main Board Top Side PCB No. 8486473Z04

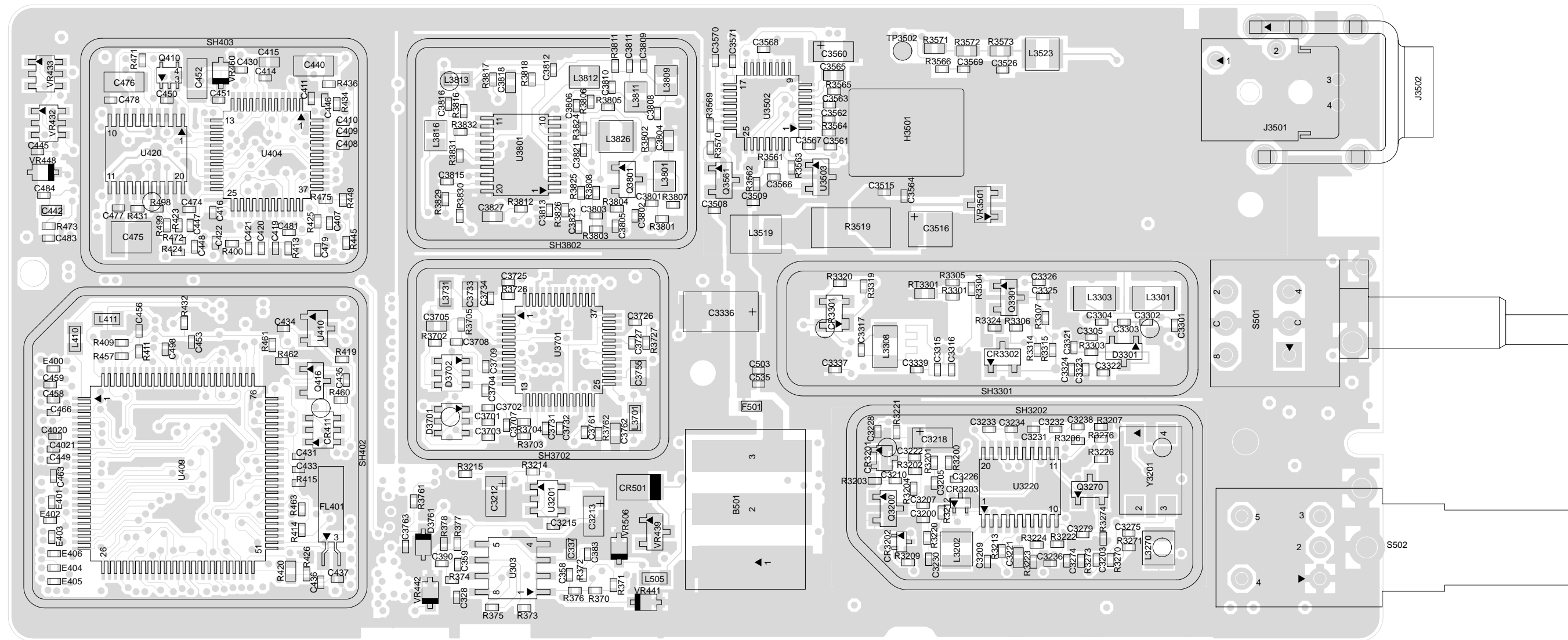


Figure 9-203. VHF (136-174 MHz) 5000/7000 Series Main Board Bottom Side PCB No. 8486473Z04

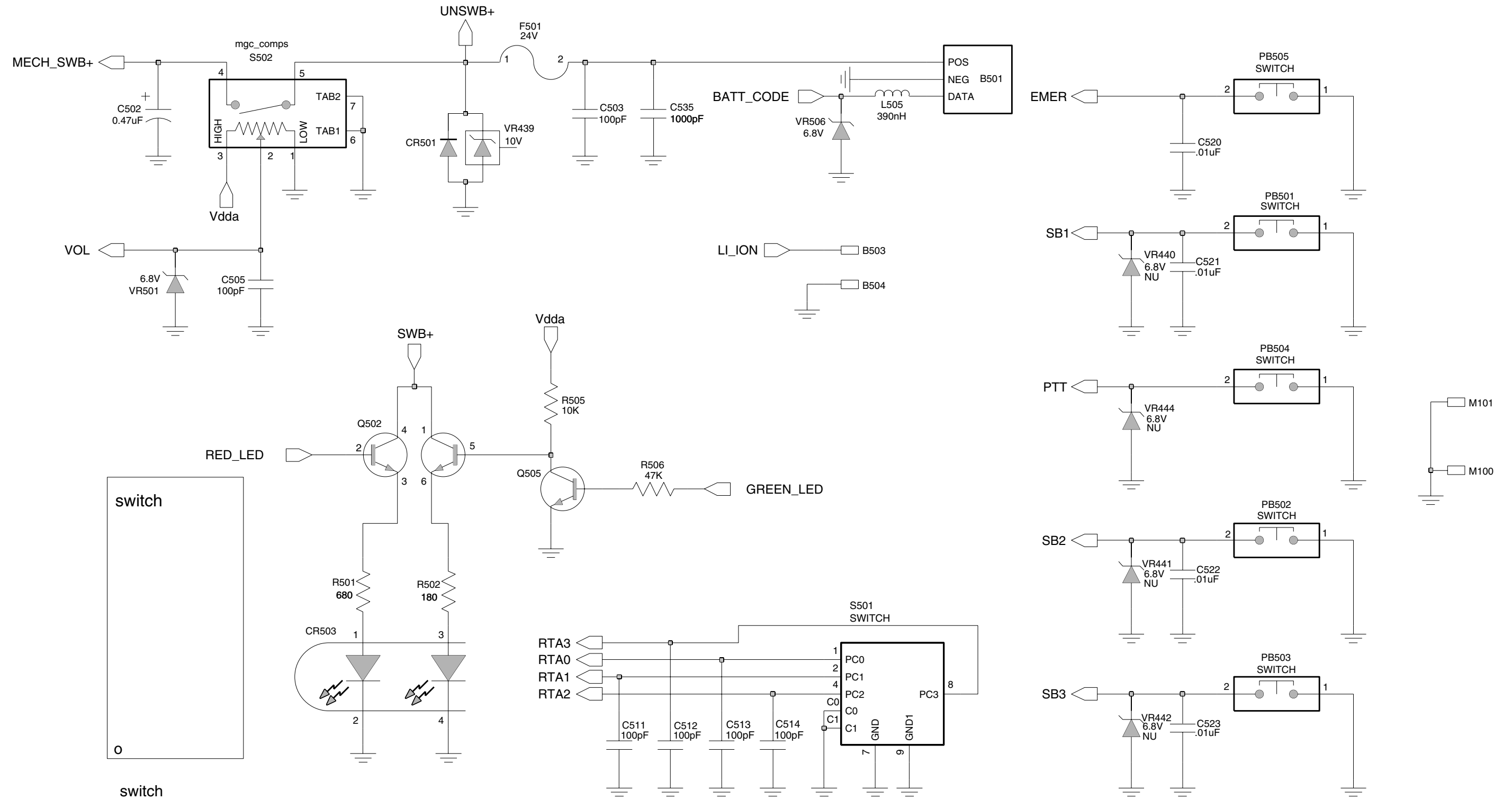


Figure 9-204. VHF (136-174 MHz) Controls And Switches Schematic Diagram

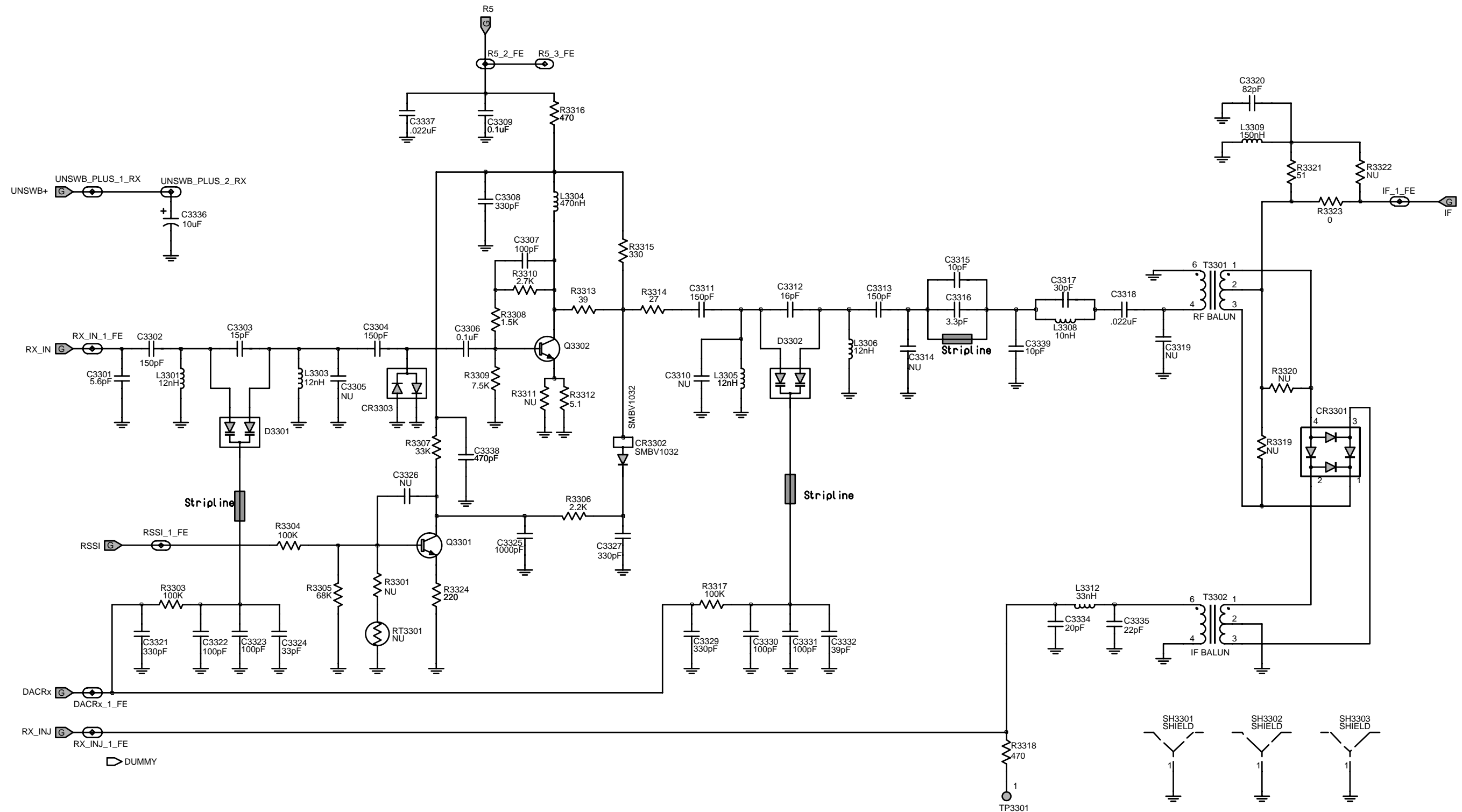


Figure 9-205. VHF (136-174 MHz) Receiver Front End Schematic Diagram

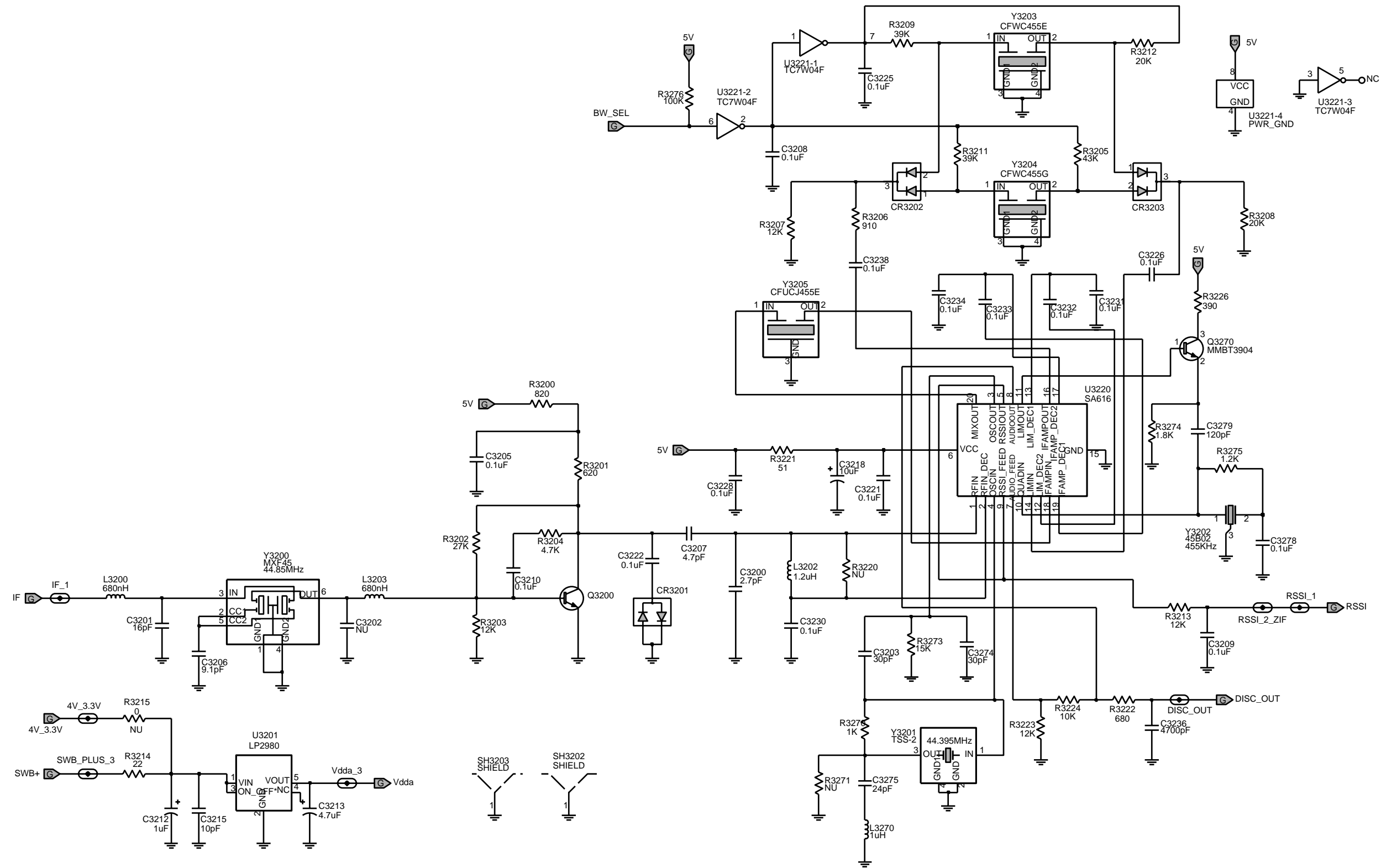
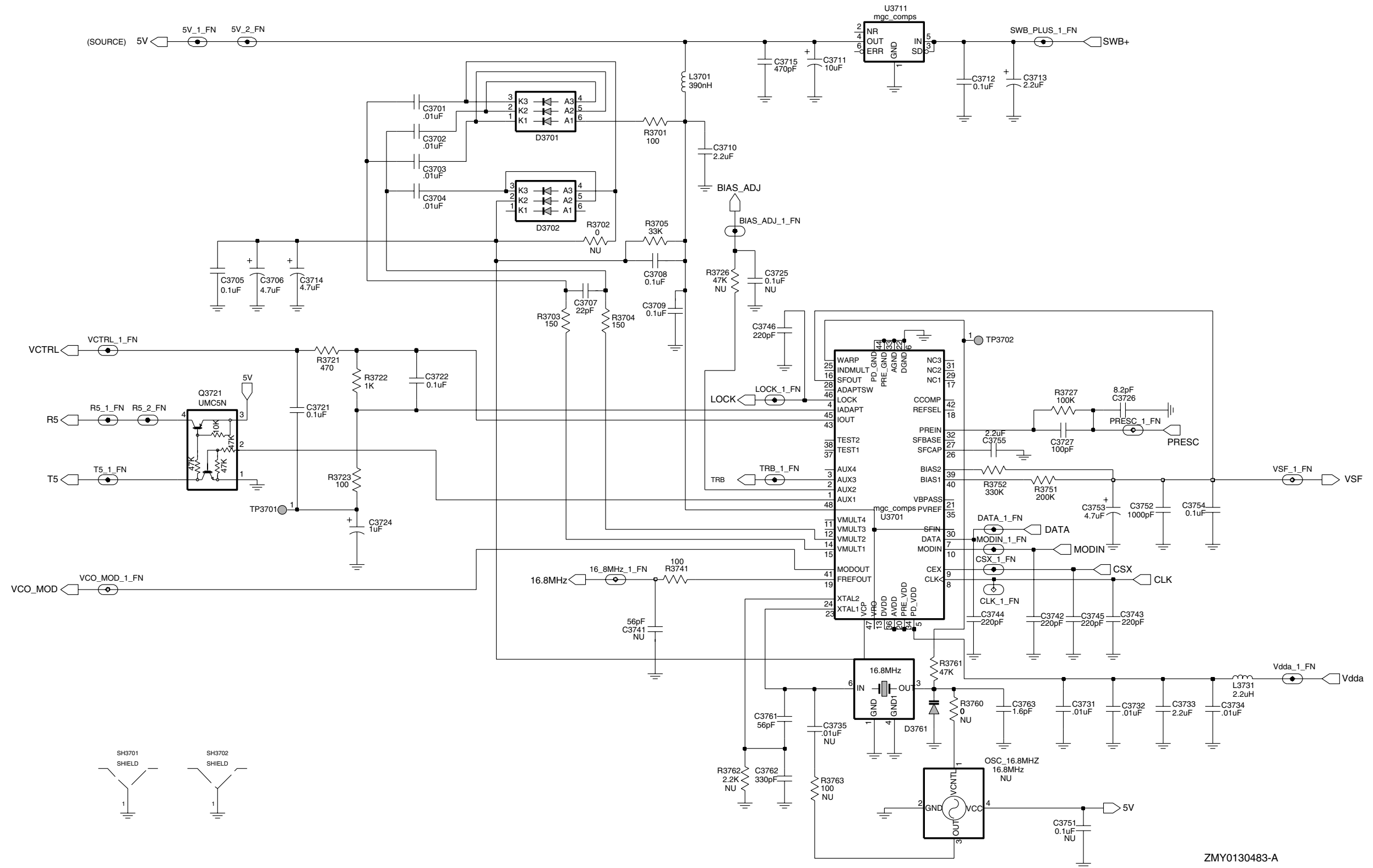


Figure 9-206. VHF (136-174 MHz) Receiver Back End Schematic Diagram



ZMY0130483-A

Figure 9-207. VHF (136-174 MHz) Synthesizer Schematic Diagram

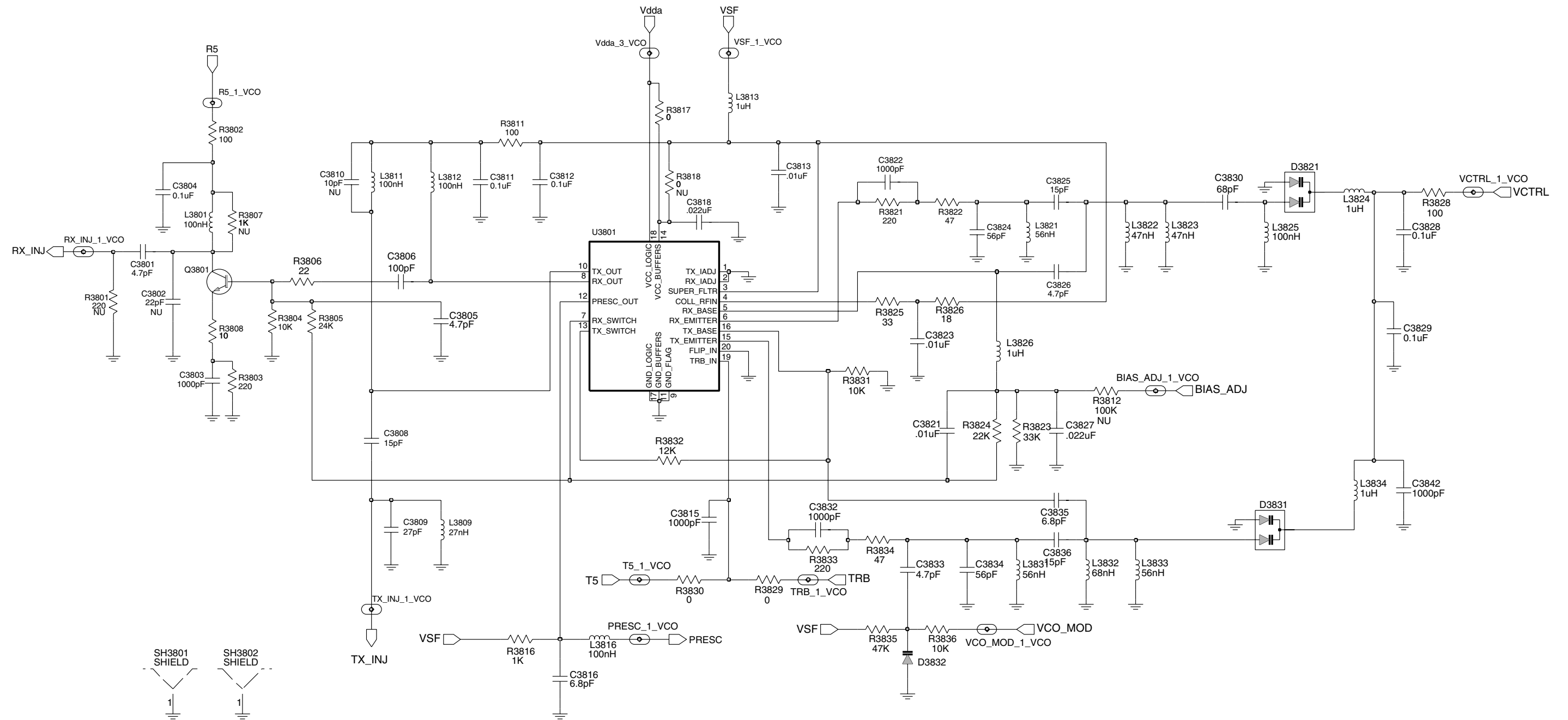


Figure 9-208. VHF (136-174 MHz) Voltage Controlled Oscillator Schematic Diagram

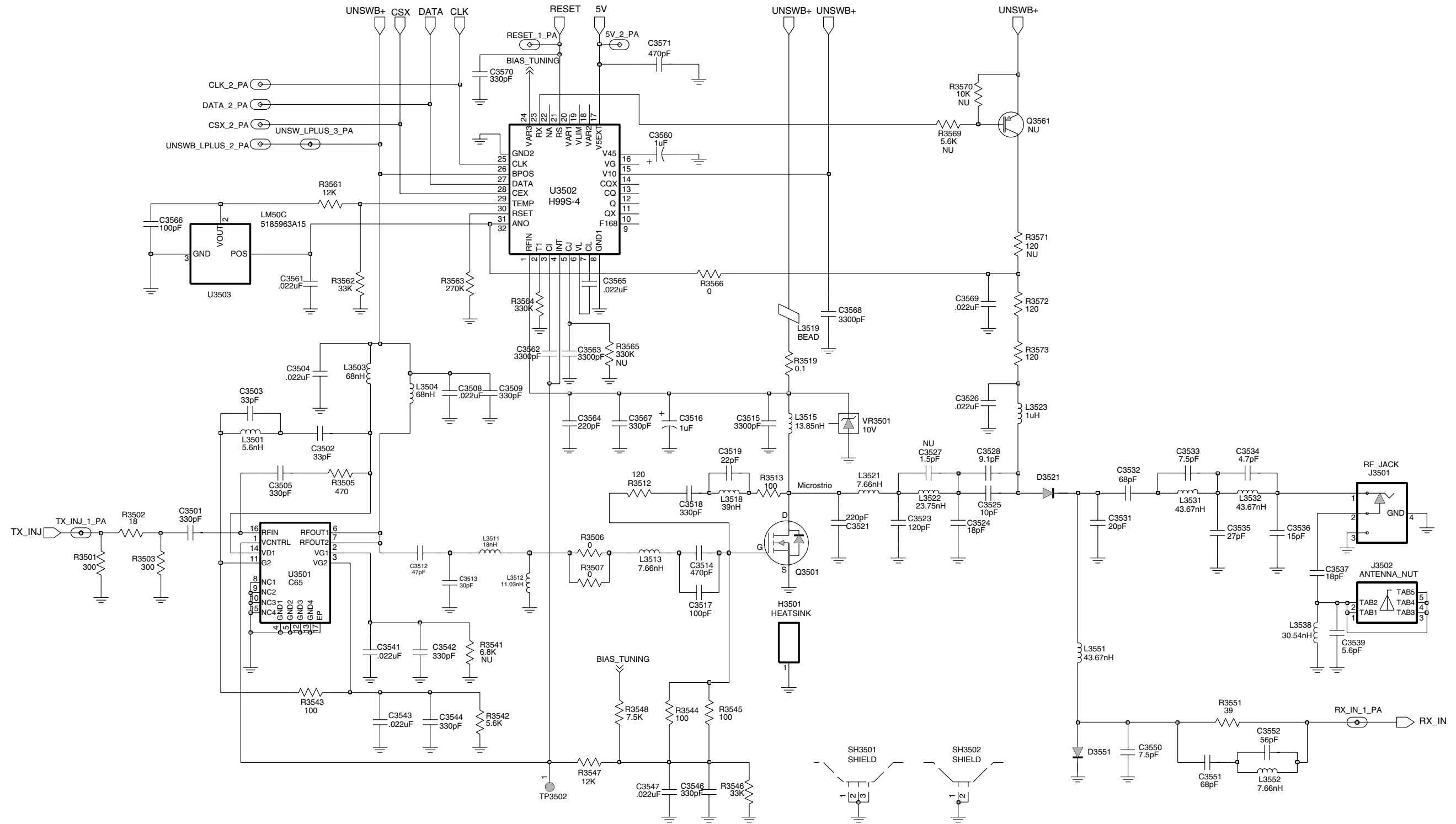


Figure 9-209. VHF (136-174 MHz) Transmitter Schematic Diagram

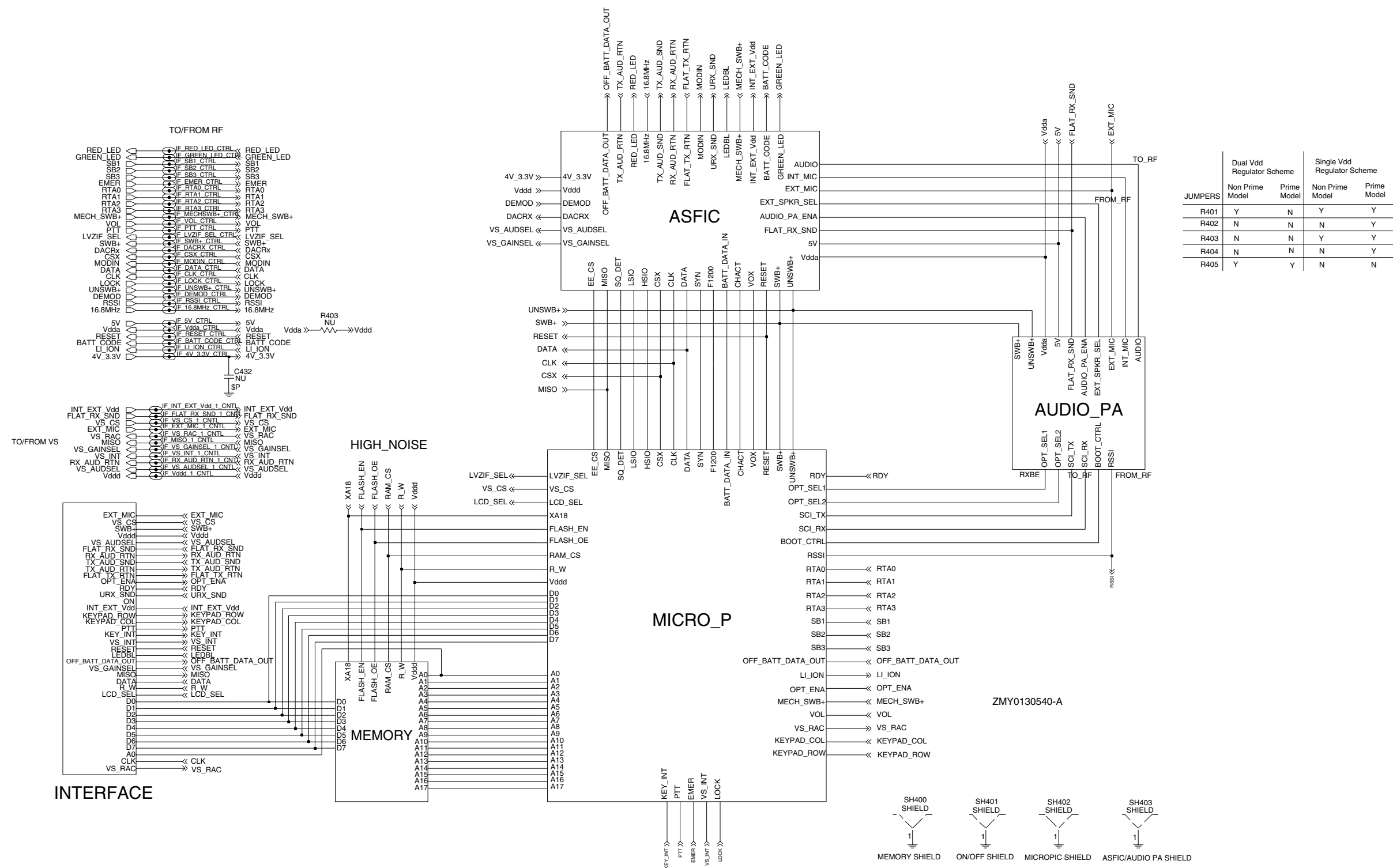


Figure 9-210. VHF (136-174 MHz) Complete Controller Schematic Diagram

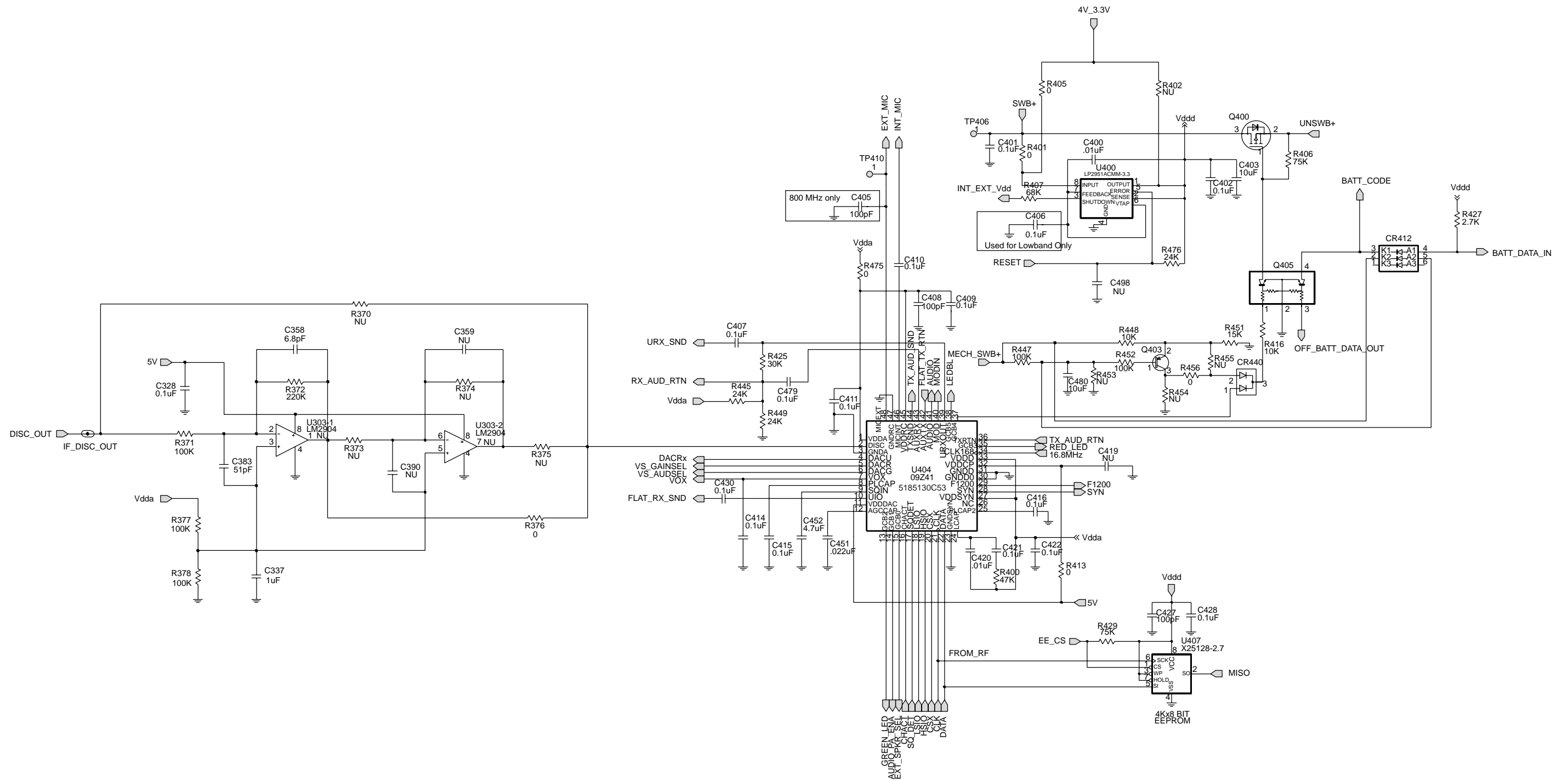


Figure 9-211. VHF (136-174 MHz) Controller ASFIC/ON_OFF Schematic Diagram

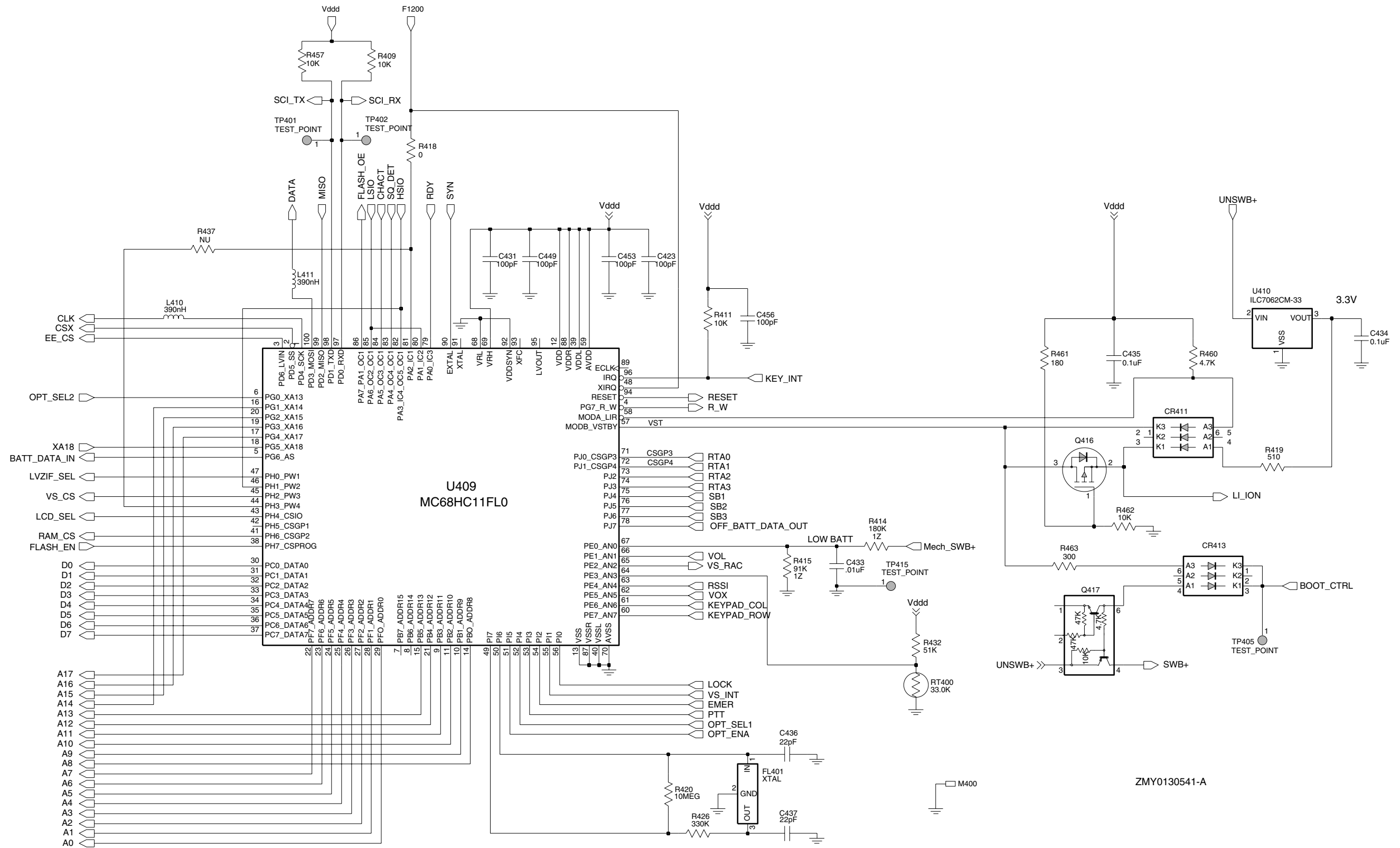
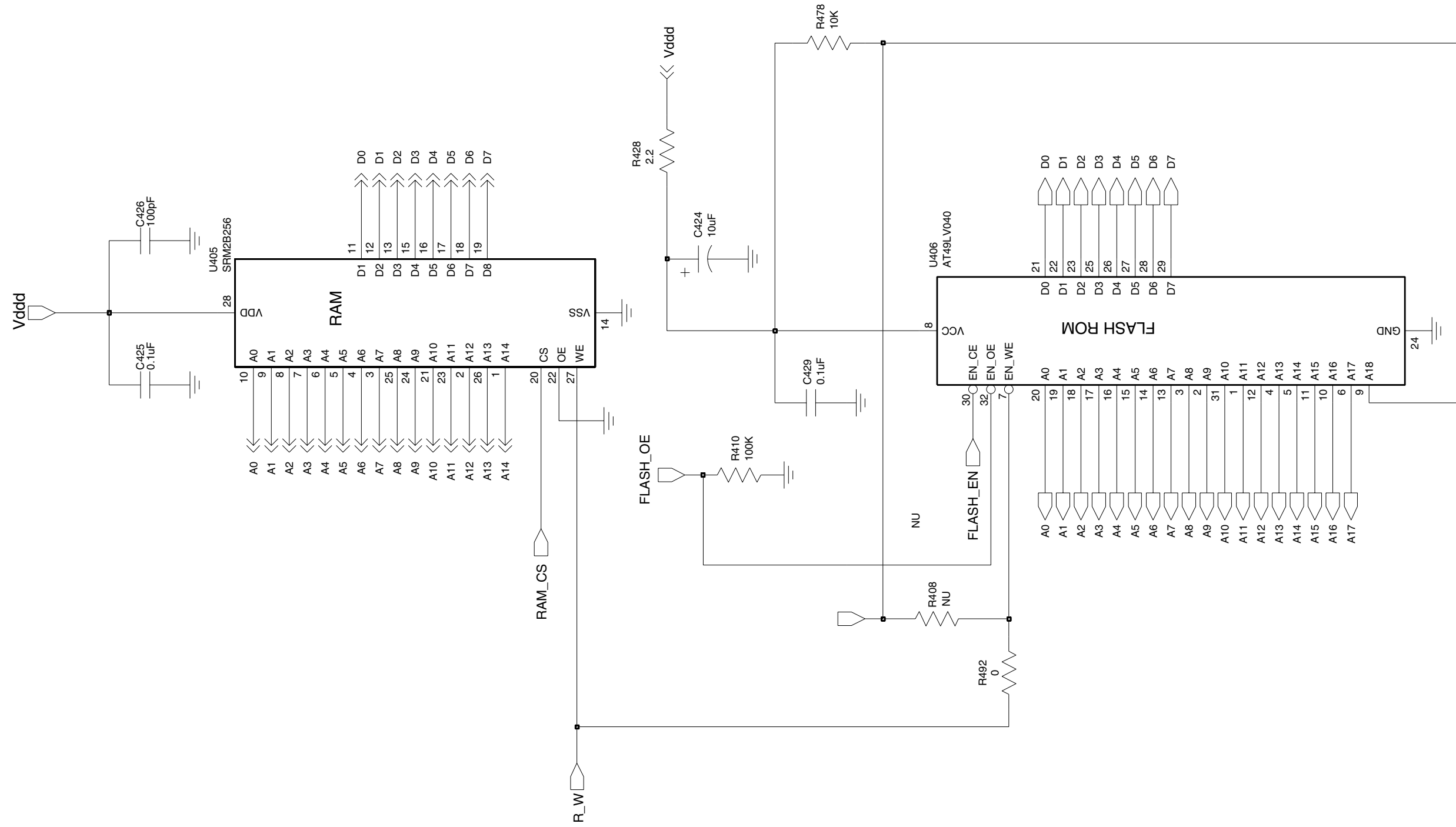


Figure 9-212. VHF (136-174 MHz) Controller Microprocessor Schematic Diagram



ZMY0130543-A

Figure 9-213. VHF (136-174 MHz) Controller Memory Schematic Diagram

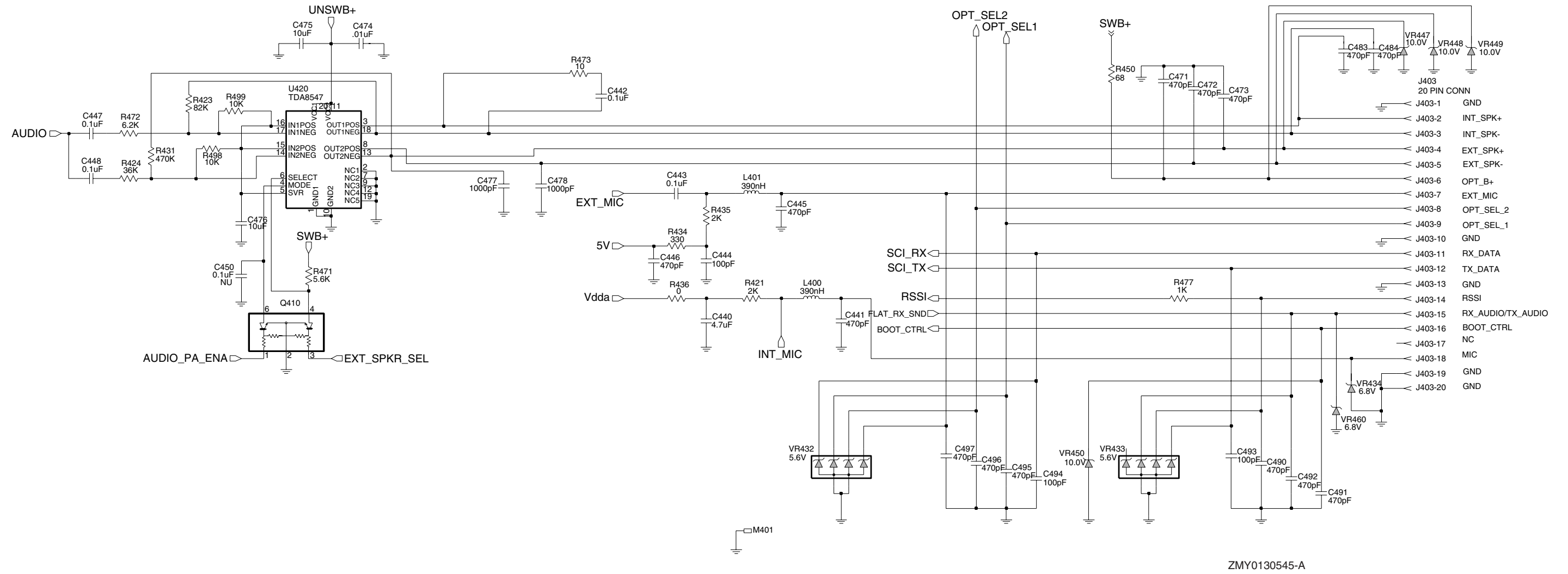


Figure 9-214. VHF (136-174 MHz) Controller Audio Power Amplifier Schematic Diagram

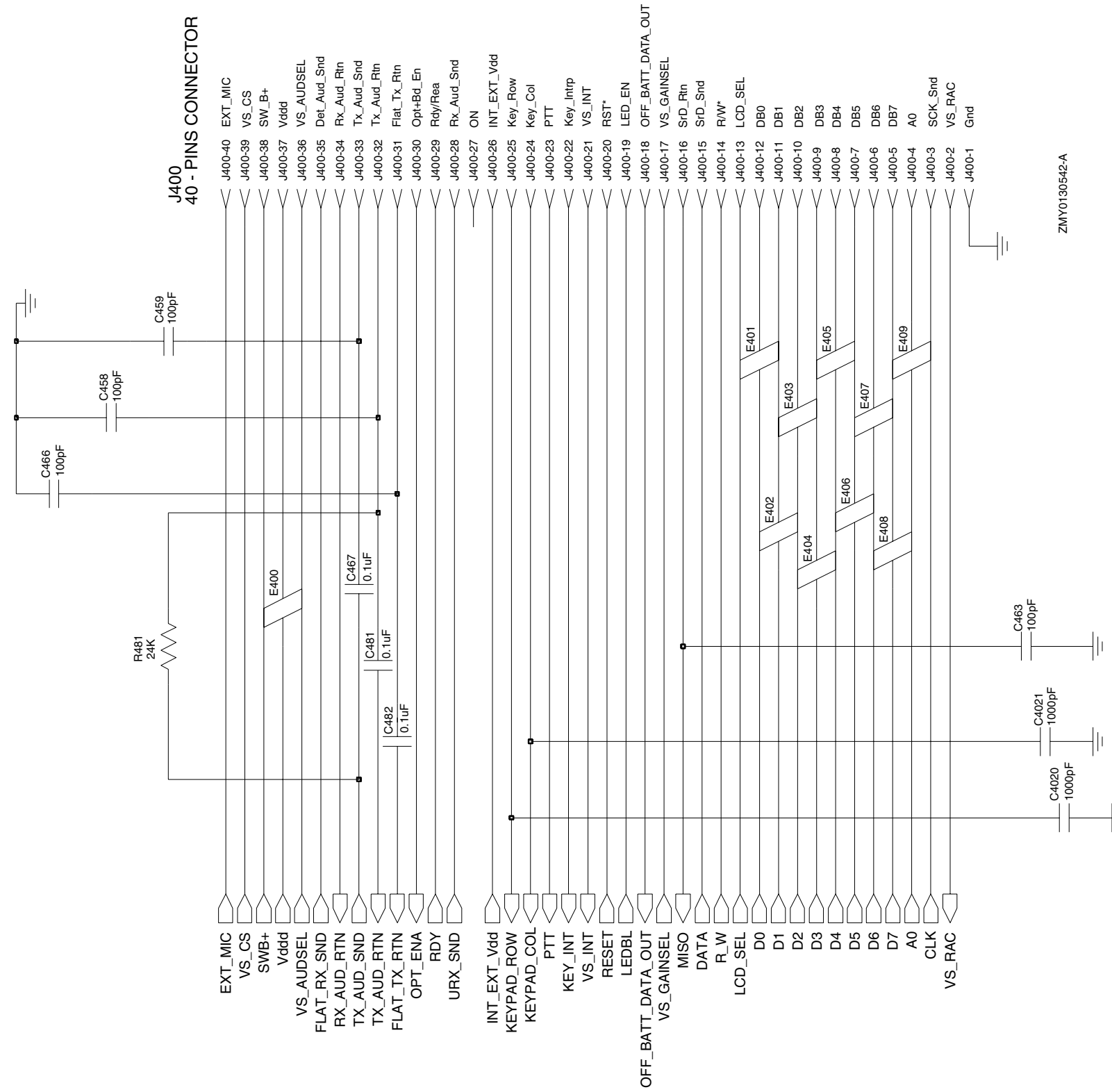


Figure 9-215. VHF (136-174 MHz) Controller Interface Schematic Diagram

VHF (136-174 MHz) Radio Parts List (PCB 8486473Z04)

| Circuit Ref | Motorola Part No. | Description |
|-------------|-------------------|------------------------|
| B501 | 0986237A02 | Battery Contact Module |
| B503 | 3980502Z01 | Backup Contact, B + |
| B504 | 3980501Z01 | Backup Contact, B - |
| C3200 | 2113743N12 | 2.7pF |
| C3201 | 2113743N31 | 16pF |
| C3202 | NOT PLACED | |
| C3203 | 2113743N37 | 30pF |
| C3205 | 2113743M24 | 100000pF |
| C3206 | 2109445U26 | 9.1 |
| C3207 | 2113743N18 | 4.7pF |
| C3208 | 2113743M24 | 100000pF |
| C3209 | 2113743M24 | 100000pF |
| C3210 | 2113743M24 | 100000pF |
| C3212 | 2311049A07 | 1uF |
| C3213 | 2311049A56 | 4.7uF |
| C3215 | 2113743N26 | 10pF |
| C3218 | 2311049A59 | 10uF |
| C3221 | 2113743E20 | 0.1uF |
| C3222 | 2113743M24 | 100000pF |
| C3225 | 2113743M24 | 100000pF |
| C3226 | 2113743M24 | 100000pF |
| C3228 | 2113743M24 | 100000pF |
| C3230 | 2113743M24 | 100000pF |
| C3231 | 2113743M24 | 100000pF |
| C3232 | 2113743M24 | 100000pF |
| C3233 | 2113743M24 | 100000pF |
| C3234 | 2113743M24 | 100000pF |
| C3236 | 2113743L33 | 4700pF |
| C3238 | 2113743M24 | 100000pF |
| C3274 | 2113743N37 | 30pF |
| C3275 | 2113743N35 | 24pF |
| C3278 | 2113743E20 | 0.1uF |
| C3279 | 2113743N52 | 120pF |
| C328 | 2113743M24 | 100000pF |
| C3301 | 2113743N20 | 5.6pF |
| C3302 | 2113743N54 | 150pF |

| Circuit Ref | Motorola Part No. | Description |
|-------------|-------------------|-------------|
| C3303 | 2113743N30 | 15pF |
| C3304 | 2113743N54 | 150pF |
| C3305 | NOT PLACED | |
| C3306 | 2113928N01 | 0.1uF |
| C3307 | 2113743N50 | 100pF |
| C3308 | 2113743L05 | 330pF |
| C3309 | 2113928N01 | 0.1uF |
| C3310 | NOT PLACED | |
| C3311 | 2113743N54 | 150pF |
| C3312 | 2113743N31 | 16pF |
| C3313 | 2113743N54 | 150pF |
| C3314 | NOT PLACED | |
| C3315 | 2113743N26 | 10pF |
| C3316 | 2113743N14 | 3.3pF |
| C3317 | 2113743N37 | 30pF |
| C3318 | 2113743M08 | 22000pF |
| C3319 | NOT PLACED | |
| C3320 | 2113743N48 | 82pF |
| C3321 | 2113743L05 | 330pF |
| C3322 | 2113743N50 | 100pF |
| C3323 | 2113743N50 | 100pF |
| C3324 | 2113743N38 | 33pF |
| C3325 | 2113743L17 | 1000pF |
| C3326 | NOT PLACED | |
| C3327 | 2113743L05 | 330pF |
| C3329 | 2113743L05 | 330pF |
| C3330 | 2113743N50 | 100pF |
| C3331 | 2113743N50 | 100pF |
| C3332 | 2113743N40 | 39pF |
| C3334 | 2113743N33 | 20pF |
| C3335 | 2113743N34 | 22pF |
| C3336 | 2311049A96 | 33uF |
| C3337 | 2113743M08 | 22000pF |
| C3338 | 2113743L09 | 470pF |
| C3339 | 2113743N26 | 10pF |
| C337 | 2113928P04 | 1uF |
| C3501 | 2113743L05 | 330pF |
| C3502 | 2113743N38 | 33pF |

| Circuit Ref | Motorola Part No. | Description |
|-------------|-------------------|-------------|
| C3503 | 2113743N38 | 33pF |
| C3504 | 2113743M08 | 22000pF |
| C3505 | 2113743N38 | 33pF |
| C3508 | 2113743M08 | 22000pF |
| C3509 | 2113743L05 | 330pF |
| C3512 | 2113740F43 | 47pF |
| C3513 | 2113740F38 | 30pF |
| C3514 | 2113740F47 | 68pF |
| C3515 | 2113743L29 | 3300pF |
| C3516 | 2311049A08 | 1uF |
| C3517 | 2113740F47 | 68pF |
| C3518 | NOT PLACED | |
| C3519 | NOT PLACED | |
| C3521 | 2111078B51 | 220pF |
| C3523 | 2111078B44 | 120pF |
| C3524 | 2113740F34 | 20pF |
| C3525 | 2113740F27 | 10pF |
| C3526 | 2113743M08 | 22000pF |
| C3527 | NOT PLACED | |
| C3528 | 2113740F27 | 10pF |
| C3531 | 2113740F34 | 20pF |
| C3532 | 2113740F47 | 68pF |
| C3533 | 2113740F24 | 7.5pF |
| C3534 | 2113740F19 | 4.7pF |
| C3535 | 2113740F37 | 27pF |
| C3536 | 2113740F31 | 15pF |
| C3537 | 2113740F33 | 18pF |
| C3539 | 2113740F29 | 12pF |
| C3541 | 2113743M08 | 22000pF |
| C3542 | 2113743L05 | 330pF |
| C3543 | 2113743M08 | 22000pF |
| C3544 | 2113743L05 | 330pF |
| C3546 | 2113743L05 | 330pF |
| C3547 | 2113743M08 | 22000pF |
| C3550 | 2113743N23 | 7.5pF |
| C3551 | 2113743N46 | 68pF |
| C3552 | 2113743N44 | 56pF |
| C3560 | 2311049A07 | 1uF |

| Circuit Ref | Motorola Part No. | Description |
|-------------|-------------------|-------------|
| C3561 | 2113743M08 | 22000pF |
| C3562 | 2113743L29 | 3300pF |
| C3563 | 2113743L29 | 3300pF |
| C3564 | 2113743L01 | 220pF |
| C3565 | 2113743E07 | 0.022uF |
| C3566 | 2113743N50 | 100pF |
| C3567 | 2113743L05 | 330pF |
| C3568 | 2113743L29 | 3300pF |
| C3569 | 2113743M08 | 22000pF |
| C3570 | 2113743L05 | 330pF |
| C3571 | 2113743L09 | 470pF |
| C358 | 2113743N22 | 6.8pF |
| C359 | 2113743N31 | 16pF |
| C3701 | 2113743L41 | 10000pF |
| C3702 | 2113743L41 | 10000pF |
| C3703 | 2113743L41 | 10000pF |
| C3704 | 2113743L41 | 10000pF |
| C3705 | 2113743E20 | 0.1uF |
| C3706 | 2311049J11 | 4.7uF |
| C3707 | 2113743N34 | 22pF |
| C3708 | 2113928N01 | 0.1uF |
| C3709 | 2113928N01 | 0.1uF |
| C3710 | 2104993J02 | 2.2uF |
| C3711 | 2311049A69 | 10uF |
| C3712 | 2113928N01 | 0.1uF |
| C3713 | 2311049A09 | 2.2uF |
| C3714 | 2311049J11 | 4.7uF |
| C3715 | 2113743L09 | 470pF |
| C3721 | 2113743E20 | 0.1uF |
| C3722 | 2113743E20 | 0.1uF |
| C3724 | 2311049A08 | 1uF |
| C3725 | NOT PLACED | |
| C3726 | 2113743N24 | 8.2pF |
| C3727 | 2113743N50 | 100pF |
| C3731 | 2113743L41 | 10000pF |
| C3732 | 2113743L41 | 10000pF |
| C3733 | 2104993J02 | 2.2uF |
| C3734 | 2113743L41 | 10000pF |

| Circuit Ref | Motorola Part No. | Description |
|-------------|-------------------|-------------|
| C3741 | NOT PLACED | |
| C3742 | 2113743L01 | 220pF |
| C3743 | 2113743L01 | 220pF |
| C3744 | 2113743L01 | 220pF |
| C3745 | 2113743L01 | 220pF |
| C3746 | 2113743L01 | 220pF |
| C3752 | 2113743L17 | 1000pF |
| C3753 | 2311049A56 | 4.7uF |
| C3754 | 2113928N01 | 0.1uF |
| C3755 | 2104993J02 | 2.2uF |
| C3761 | 2113743N42 | 47pF |
| C3762 | 2113740F63 | 330pF |
| C3763 | NOT PLACED | |
| C3801 | 2113743N18 | 4.7pF |
| C3802 | NOT PLACED | |
| C3803 | 2113743L17 | 1000pF |
| C3804 | 2113743E20 | 0.1uF |
| C3805 | 2113743N18 | 4.7pF |
| C3806 | 2113743N50 | 100pF |
| C3808 | 2113743N30 | 15pF |
| C3809 | 2113743N36 | 27pF |
| C3810 | NOT PLACED | |
| C3811 | 2113928N01 | 0.1uF |
| C3812 | 2113928N01 | 0.1uF |
| C3813 | 2113743L41 | 10000pF |
| C3815 | 2113743L17 | 1000pF |
| C3816 | 2113743N22 | 6.8pF |
| C3818 | 2113743E07 | 0.022uF |
| C3821 | 2113743L41 | 10000pF |
| C3822 | 2113743L17 | 1000pF |
| C3823 | 2113743L41 | 10000pF |
| C3824 | 2113743N44 | 56pF |
| C3825 | 2113743N30 | 15pF |
| C3826 | 2113743N18 | 4.7pF |
| C3827 | 2113743E07 | 0.022uF |
| C3828 | 2185895Z01 | 0.01uF |
| C3829 | 2185895Z01 | 0.01uF |
| C383 | 2113743N43 | 51pF |

| Circuit Ref | Motorola Part No. | Description |
|-------------|-------------------|-------------|
| C3830 | 2113743N46 | 68pF |
| C3832 | 2113743L17 | 1000pF |
| C3833 | 2113743N18 | 4.7pF |
| C3834 | 2113743N44 | 56pF |
| C3835 | 2113743N22 | 6.8pF |
| C3836 | 2113743N30 | 15pF |
| C3842 | 2113743L17 | 1000pF |
| C390 | 2113743N43 | 51pF |
| C400 | 2113743L41 | 10000pF |
| C401 | 2113928N01 | 0.1uF |
| C402 | 2113928N01 | 0.1uF |
| C4020 | NOT PLACED | |
| C4021 | NOT PLACED | |
| C403 | 2113743G24 | 2.2uF |
| C407 | 2113928N01 | 0.1uF |
| C408 | 2113743N50 | 100pF |
| C409 | 2113928N01 | 0.1uF |
| C410 | 2113928N01 | 0.1uF |
| C411 | 2113928N01 | 0.1uF |
| C414 | 2113928N01 | 0.1uF |
| C415 | 2185895Z01 | 0.01uF |
| C416 | 2113928N01 | 0.1uF |
| C419 | 2113743L41 | 10000pF |
| C420 | 2113743L41 | 10000pF |
| C421 | 2113928N01 | 0.1uF |
| C422 | 2113928N01 | 0.1uF |
| C423 | 2113743N50 | 100pF |
| C424 | 2311049A59 | 10uF |
| C425 | 2113928N01 | 0.1uF |
| C426 | 2113743N50 | 100pF |
| C427 | 2113743N50 | 100pF |
| C428 | 2113928N01 | 0.1uF |
| C429 | 2113928N01 | 0.1uF |
| C430 | 2113928N01 | 0.1uF |
| C431 | 2113743N50 | 100pF |
| C432 | NOT PLACED | |
| C433 | 2113743L41 | 10000pF |
| C434 | 2113928N01 | 0.1uF |

| Circuit Ref | Motorola Part No. | Description |
|-------------|-------------------|-------------|
| C435 | 2113928N01 | 0.1uF |
| C436 | 2113743N34 | 22pF |
| C437 | 2113743N34 | 22pF |
| C440 | 2113743G26 | 4.7uF |
| C441 | 2113743L09 | 470pF |
| C442 | 2113743E20 | 0.1uF |
| C443 | 2113928N01 | 0.1uF |
| C444 | 2113743N50 | 100pF |
| C445 | 2113743L09 | 470pF |
| C446 | 2113743L09 | 470pF |
| C447 | 2113928N01 | 0.1uF |
| C448 | 2113928N01 | 0.1uF |
| C449 | 2113743N50 | 100pF |
| C450 | NOT PLACED | |
| C451 | 2113743M08 | 22000pF |
| C452 | 2113743B29 | 1uF |
| C453 | 2113743N50 | 100pF |
| C456 | 2113743N50 | 100pF |
| C458 | 2113743N50 | 100pF |
| C459 | 2113743N50 | 100pF |
| C463 | 2113743N50 | 100pF |
| C466 | 2113743N50 | 100pF |
| C467 | 2113928N01 | 0.1uF |
| C471 | 2113743L09 | 470pF |
| C472 | 2113743L09 | 470pF |
| C473 | 2113743L09 | 470pF |
| C474 | 2113743L41 | 10000pF |
| C475 | 2113743H14 | 10uF |
| C476 | 2113928D08 | 10uF |
| C477 | 2113743L17 | 1000pF |
| C478 | 2113743L17 | 1000pF |
| C479 | 2113928N01 | 0.1uF |
| C480 | 2113928D08 | 10uF |
| C481 | 2113928N01 | 0.1uF |
| C482 | 2113928N01 | 0.1uF |
| C483 | 2113743L09 | 470pF |
| C484 | 2113743L09 | 470pF |
| C490 | 2113743L09 | 470pF |

| Circuit Ref | Motorola Part No. | Description |
|-------------|-------------------|----------------------|
| C491 | 2113743L09 | 470pF |
| C492 | 2113743L09 | 470pF |
| C493 | 2113743N50 | 100pF |
| C494 | 2113743N50 | 100pF |
| C495 | 2113743L09 | 470pF |
| C496 | 2113743L09 | 470pF |
| C497 | 2113743L09 | 470pF |
| C498 | NOT PLACED | |
| C502 | 2311049A05 | 0.47uF |
| C503 | 2113743N50 | 100pF |
| C505 | 2113743N50 | 100pF |
| C511 | 2113743N50 | 100pF |
| C512 | 2113743N50 | 100pF |
| C513 | 2113743N50 | 100pF |
| C514 | 2113743N50 | 100pF |
| C520 | 2113743L41 | 10000pF |
| C521 | 2113743L41 | 10000pF |
| C522 | 2113743L41 | 10000pF |
| C523 | 2113743L41 | 10000pF |
| C535 | 2113743L17 | 1000pF |
| CR3201 | 4813825A19 | Schottky Diode |
| CR3202 | 4802245J97 | Band Switching Diode |
| CR3203 | 4802245J97 | Band Switching Diode |
| CR3301 | 4802245J42 | Ring Quad Diode |
| CR3302 | 4805129M96 | Dual Diode |
| CR3303 | 4880154K03 | Dual Diode |
| CR411 | 4802245J62 | Schottkt Diode |
| CR412 | 4802245J62 | Schottkt Diode |
| CR413 | 4802245J62 | Schottkt Diode |
| CR440 | 4813833C02 | Dual Diode |
| CR501 | 4880107R01 | Rectifier |
| CR503 | 4805729G49 | Red / Yellow LED |
| D3301 | 4802081B58 | Dual Diode |
| D3302 | 4802081B58 | Dual Diode |
| D3521 | 4880973Z02 | Pin Diode |
| D3551 | 4880973Z02 | Pin Diode |
| D3701 | 4802233J09 | Triple Diode |
| D3702 | 4802233J09 | Triple Diode |

| Circuit Ref | Motorola Part No. | Description | Circuit Ref | Motorola Part No. | Description | Circuit Ref | Motorola Part No. | Description | Circuit Ref | Motorola Part No. | Description |
|-------------|-------------------|---|-------------|-------------------|----------------|-------------|-------------------|--------------------------|-------------|-------------------|-------------|
| D3761 | 4862824C03 | Varactor Diode | L3512 | 2479990B01 | 11.03nH | PB503 | 4086470Z01 | Tactile Switch | R3224 | 0662057V02 | 10K |
| D3821 | 4805649Q13 | Varactor Diode | L3513 | 2479990A02 | 7.66nH | PB504 | 4086470Z01 | Tactile Switch | R3226 | 0662057M64 | 390 |
| D3831 | 4805649Q13 | Varactor Diode | L3515 | 2479990C03 | 1385nH | PB505 | 4086470Z01 | Tactile Switch | R3270 | 0662057M74 | 1000 |
| D3832 | 4862824C01 | Varactor Diode | L3518 | NOT PLACED | | Q3200 | 4802197J95 | NPN Transistor | R3271 | NOT PLACED | |
| E400 | 2480640Z01 | Ferrite Bead | L3519 | 2484657R01 | Ferrite Bead | Q3270 | 4813824A10 | NPN Transistor | R3273 | 0662057N03 | 15K |
| E401 | 2480640Z01 | Ferrite Bead | L3521 | 2479990A02 | 7.66nH | Q3301 | 4880214G02 | NPN Transistor | R3274 | 0662057M80 | 1800 |
| E402 | 2480640Z01 | Ferrite Bead | L3522 | 2479990E01 | 23.75nH | Q3302 | 4802197J95 | NPN Transistor | R3275 | 0662057M76 | 1200 |
| E403 | 2480640Z01 | Ferrite Bead | L3523 | 2462587N68 | 1000nH | Q3501 | 4813828A08 | RF Power Amplifier | R3276 | 0662057N23 | 100K |
| E404 | 2480640Z01 | Ferrite Bead | L3531 | 2479990N01 | 43.67nH | Q3561 | 4813824A17 | PNP Transistor | R3301 | NOT PLACED | |
| E405 | 2480640Z01 | Ferrite Bead | L3532 | 2479990N01 | 43.67nH | Q3721 | 4809939C05 | Dual NPN/PNP Transistor | R3303 | 0662057N23 | 100K |
| E406 | 2480640Z01 | Ferrite Bead | L3538 | 2479990M01 | 30.54nH | Q3801 | 4802197J95 | NPN Transistor | R3304 | 0662057N23 | 100K |
| E407 | 2480640Z01 | Ferrite Bead | L3551 | 2479990N01 | 43.67nH | Q400 | 4809579E18 | MOSFET P-chan Transistor | R3305 | 0662057N18 | 62K |
| E408 | 2480640Z01 | Ferrite Bead | L3552 | 2479990A02 | 7.66nH | Q403 | 4813824A17 | PNP Transistor | R3306 | 0662057M82 | 2200 |
| E409 | 2480640Z01 | Ferrite Bead | L3701 | 2462587Q42 | 390nH | Q405 | 4802245J54 | Dual NPN Transistor | R3307 | 0662057N11 | 33K |
| F501 | 6580542Z01 | Fuse 3A | L3731 | 2462587Q20 | 2200nH | Q410 | 4802245J54 | Dual NPN Transistor | R3308 | 0662057M78 | 1500 |
| FL401 | 4870368G02 | Real Time Clock Xtal Oscillator 38.4kHz | L3801 | 2462587V34 | 100nH | Q416 | 4809579E18 | MOSFET P-chan Transistor | R3309 | 0662057M95 | 7500 |
| H3501 | 2680499Z01 | Heat Spreader | L3809 | 2462587V27 | 27nH | Q417 | 4809939C05 | Dual NPN/PNP Transistor | R3310 | 0662057M84 | 2700 |
| J3501 | 0985613Z01 | RF Jack | L3811 | 2462587V34 | 100nH | Q502 | 5180159R01 | Dual NPN Transistor | R3311 | NOT PLACED | |
| J3502 | 0280519Z02 | Antenna Nut | L3812 | 2462587V34 | 100nH | Q505 | 4880214G02 | NPN Transistor | R3312 | 0662057M19 | 5.1 |
| J400 | 0905505Y04 | 40-Pin Connector | L3813 | 2462587Q47 | 1000nH | R3200 | 0662057M72 | 820 | R3313 | 0662057M40 | 39 |
| J403 | 0905505Y02 | 20-Pin Connector | L3816 | 2462587V34 | 100nH | R3201 | 0662057M69 | 620 | R3314 | 0662057M35 | 24 |
| L3200 | 2413926K33 | 680nH | L3821 | 2462587N50 | 56nH | R3202 | 0662057N09 | 27K | R3315 | 0662057M62 | 330 |
| L3202 | 2413923A25 | 1200nH | L3822 | 2462587N49 | 47nH | R3203 | 0662057N01 | 12K | R3316 | 0662057M66 | 470 |
| L3203 | 2413926K33 | 680nH | L3823 | 2462587N49 | 47nH | R3204 | 0662057M90 | 4700 | R3317 | 0662057N23 | 100K |
| L3270 | 2462587N68 | 1000nH | L3824 | 2462587N68 | 1000nH | R3205 | 0662057N06 | 20K | R3318 | 0662057M66 | 470 |
| L3301 | 2462587T35 | 12nH | L3825 | 2462587V34 | 100nH | R3206 | 0662057M73 | 910 | R3319 | NOT PLACED | |
| L3303 | 2462587T35 | 12nH | L3826 | 2462587N68 | 1000nH | R3207 | 0662057N01 | 12K | R3320 | NOT PLACED | |
| L3304 | 2462587T23 | 470nH | L3831 | 2462587N50 | 56nH | R3208 | 0662057N06 | 20K | R3321 | 0662057M43 | 51 |
| L3305 | 2462587T35 | 12nH | L3832 | 2462587N51 | 68nH | R3209 | 0662057N13 | 39K | R3322 | NOT PLACED | |
| L3306 | 2462587T35 | 12nH | L3833 | 2462587N50 | 56nH | R3211 | 0662057N13 | 39K | R3323 | 0662057M01 | 0 |
| L3308 | 2462587T34 | 10nH | L3834 | 2462587N68 | 1000nH | R3212 | 0662057N06 | 20K | R3324 | 0662057M58 | 220 |
| L3309 | 2462587N55 | 150nH | L400 | 2462587Q42 | 390nH | R3213 | 0662057N01 | 12K | R3501 | 0662057M61 | 300 |
| L3312 | 2462587V28 | 33nH | L401 | 2462587Q42 | 390nH | R3214 | 0662057M34 | 22 | R3502 | 0662057M32 | 18 |
| L3501 | 2413926H09 | 5.6nH | L410 | 2462587Q42 | 390nH | R3215 | 0662057M01 | 0 | R3503 | 0662057M61 | 300 |
| L3503 | 2462587V32 | 68nH | L411 | 2462587Q42 | 390nH | R3220 | NOT PLACED | | R3505 | 0662057M62 | 330 |
| L3504 | 2462587N51 | 68nH | L505 | 2462587Q42 | 390nH | R3221 | 0662057M43 | 51 | R3506 | 0662057B62 | 3.9 |
| L3511 | 2462587N44 | 18nH | PB501 | 4086470Z01 | Tactile Switch | R3222 | 0662057M70 | 680 | R3507 | 0662057B62 | 3.9 |
| | | | PB502 | 4086470Z01 | Tactile Switch | R3223 | 0662057V04 | 12K | R3512 | NOT PLACED | |

| Circuit Ref | Motorola Part No. | Description |
|-------------|-------------------|-------------|
| R3513 | NOT PLACED | |
| R3519 | 0680539Z01 | 0.1 |
| R3541 | 0662057N13 | 39K |
| R3542 | 0662057M92 | 5600 |
| R3543 | 0662057M50 | 100 |
| R3544 | 0662057A25 | 100 |
| R3545 | 0662057A25 | 100 |
| R3546 | 0662057N01 | 12K |
| R3547 | 0662057N11 | 33K |
| R3548 | 0662057N07 | 22K |
| R3551 | 0662057M40 | 39 |
| R3561 | 0662057N01 | 12K |
| R3562 | 0662057N11 | 33K |
| R3563 | 0662057N33 | 270K |
| R3564 | 0662057N35 | 330K |
| R3565 | NOT PLACED | |
| R3566 | NOT PLACED | |
| R3569 | 0662057M92 | 5600 |
| R3570 | 0662057M98 | 10K |
| R3571 | 0662057A27 | 120 |
| R3572 | 0662057A27 | 120 |
| R3573 | 0662057A27 | 120 |
| R370 | NOT PLACED | |
| R3701 | 0662057M50 | 100 |
| R3702 | NOT PLACED | |
| R3703 | 0662057M54 | 150 |
| R3704 | 0662057M54 | 150 |
| R3705 | 0662057N11 | 33K |
| R371 | 0662057N23 | 100K |
| R372 | 0662057N28 | 160K |
| R3721 | 0662057M66 | 470 |
| R3722 | 0662057M68 | 560 |
| R3723 | 0662057M50 | 100 |
| R3726 | NOT PLACED | |
| R3727 | 0662057N23 | 100K |
| R373 | NOT PLACED | |
| R374 | 0662057N23 | 100K |
| R3741 | 0662057M50 | 100 |

| Circuit Ref | Motorola Part No. | Description |
|-------------|-------------------|-------------|
| R375 | NOT PLACED | |
| R3751 | 0662057N30 | 200K |
| R3752 | 0662057N29 | 180K |
| R376 | 0662057M01 | 0 |
| R3761 | 0662057N15 | 47K |
| R3762 | NOT PLACED | |
| R377 | 0662057N23 | 100K |
| R378 | 0662057N23 | 100K |
| R3801 | NOT PLACED | |
| R3802 | 0662057M50 | 100 |
| R3803 | 0662057M58 | 220 |
| R3804 | 0662057M98 | 10K |
| R3805 | 0662057N08 | 24K |
| R3806 | 0662057M34 | 22 |
| R3807 | NOT PLACED | |
| R3808 | 0662057M26 | 10 |
| R3811 | 0662057M50 | 100 |
| R3812 | NOT PLACED | |
| R3816 | 0662057M74 | 1000 |
| R3817 | 0662057M01 | 0 |
| R3818 | NOT PLACED | |
| R3821 | 0662057M58 | 220 |
| R3822 | 0662057M42 | 47 |
| R3823 | 0662057N11 | 33K |
| R3824 | 0662057N07 | 22K |
| R3825 | 0662057M38 | 33 |
| R3826 | 0662057M32 | 18 |
| R3828 | 0662057M50 | 100 |
| R3829 | 0662057M01 | 0 |
| R3830 | NOT PLACED | |
| R3831 | 0662057M98 | 10K |
| R3832 | 0662057N01 | 12K |
| R3833 | 0662057M58 | 220 |
| R3834 | 0662057M42 | 47 |
| R3835 | 0662057N15 | 47K |
| R3836 | 0662057M98 | 10K |
| R400 | 0662057N15 | 47K |
| R401 | 0662057M01 | 0 |

| Circuit Ref | Motorola Part No. | Description |
|-------------|-------------------|-------------|
| R402 | NOT PLACED | |
| R403 | NOT PLACED | |
| R405 | 0662057M01 | 0 |
| R406 | 0662057N20 | 75K |
| R407 | 0662057N19 | 68K |
| R408 | NOT PLACED | |
| R409 | 0662057M98 | 10K |
| R410 | 0662057N23 | 100K |
| R411 | 0662057M98 | 10K |
| R413 | 0662057M01 | 0 |
| R414 | 0662057V34 | 180K |
| R415 | 0662057V26 | 91K |
| R416 | 0662057M98 | 10K |
| R418 | 0662057M01 | 0 |
| R419 | 0662057M67 | 510 |
| R420 | 0662057B46 | 10M |
| R421 | 0662057M81 | 2000 |
| R423 | 0662057N21 | 82K |
| R424 | 0662057N12 | 36K |
| R425 | 0662057N10 | 30K |
| R426 | 0662057N35 | 330K |
| R427 | 0662057M84 | 2700 |
| R428 | 0662057M10 | 2.2 |
| R429 | 0662057N20 | 75K |
| R431 | 0662057N39 | 470K |
| R432 | 0662057N16 | 51K |
| R434 | 0662057M62 | 330 |
| R435 | 0662057M81 | 2000 |
| R436 | 0662057M01 | 0 |
| R437 | NOT PLACED | |
| R445 | 0662057N08 | 24K |
| R447 | 0662057N23 | 100K |
| R448 | 0662057M98 | 10K |
| R449 | 0662057N08 | 24K |
| R450 | 0683962T45 | 68 |
| R451 | 0662057N03 | 15K |
| R452 | 0662057N23 | 100K |
| R453 | NOT PLACED | |

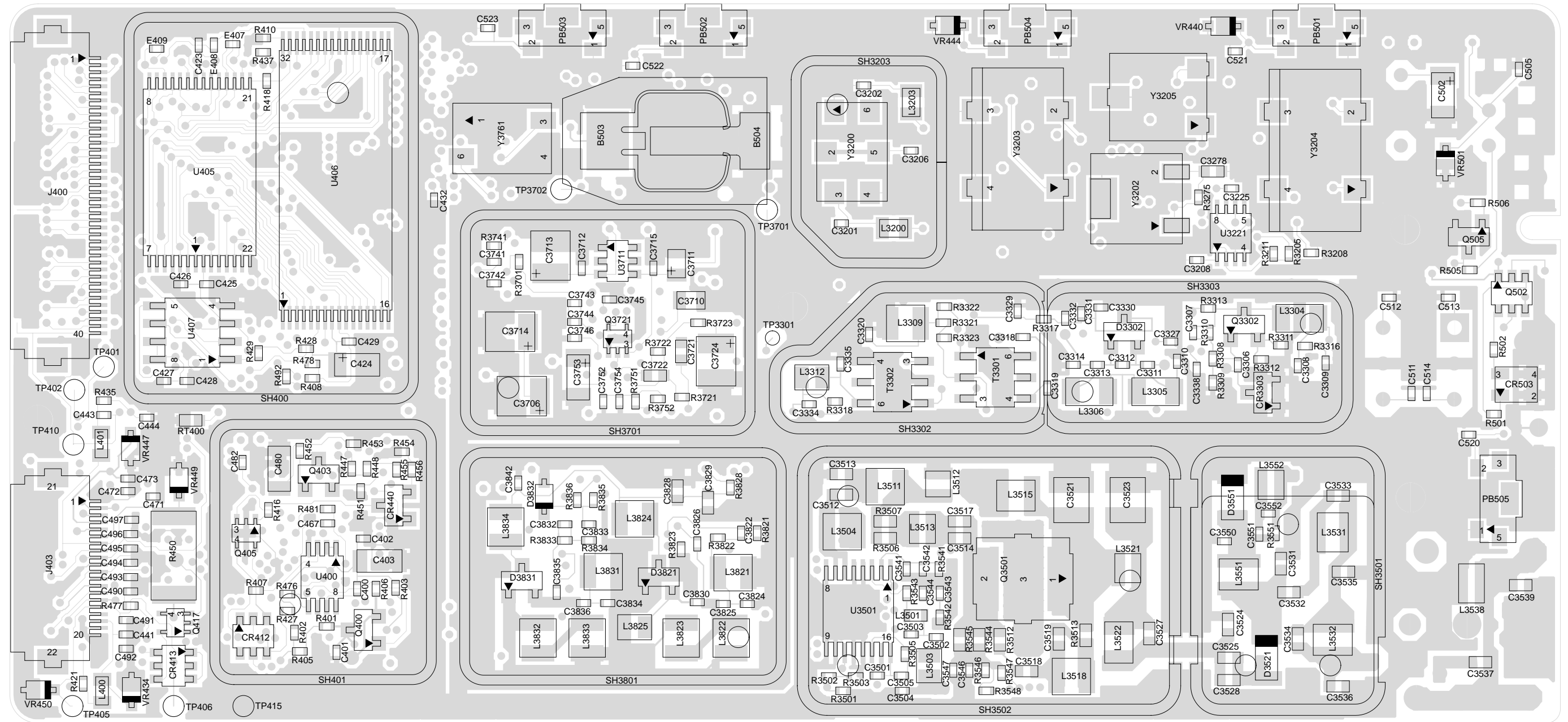
| Circuit Ref | Motorola Part No. | Description |
|-------------|-------------------|---------------------------------|
| R454 | NOT PLACED | |
| R455 | NOT PLACED | |
| R456 | 0662057M01 | 0 |
| R457 | 0662057M98 | 10K |
| R460 | 0662057M90 | 4700 |
| R461 | 0662057M56 | 180 |
| R462 | 0662057M98 | 10K |
| R463 | 0662057M61 | 300 |
| R471 | 0662057N06 | 20K |
| R472 | 0662057M93 | 6200 |
| R473 | 0662057M26 | 10 |
| R475 | 0662057M01 | 0 |
| R476 | 0662057N35 | 330K |
| R477 | 0662057M74 | 1000 |
| R478 | 0662057M98 | 10K |
| R481 | 0662057N08 | 24K |
| R492 | 0662057M01 | 0 |
| R498 | 0662057M98 | 10K |
| R499 | 0662057M98 | 10K |
| R501 | 0662057M70 | 680 |
| R502 | 0662057M56 | 180 |
| R505 | 0662057M98 | 10K |
| R506 | 0662057N15 | 47K |
| RT3301 | NOT PLACED | |
| RT400 | 0680590Z01 | Thermistor_33K |
| S501 | 4080710Z01 | Frequency Switch |
| S501 | 4080710Z02 | Frequency Switch |
| S502 | 1880619Z02 | Volume / On-off Switch |
| SH3202 | 2686539Z01 | IFIC Shield |
| SH3203 | 2686527Z01 | Crystal Filter Shield |
| SH3301 | 2686081B01 | Receiver Back-End Bottom Shield |
| SH3302 | 2686081B05 | Mixer Diode Shield |
| SH3303 | 2686081B06 | Receiver Front-End Shield |
| SH3501 | 2686081B03 | Harmonic Filter Shield |
| SH3502 | 2686081B04 | PA Shield |
| SH3701 | 2680511Z01 | Synthesizer Top Shield |
| SH3702 | 2680511Z01 | Synthesizer Bottom Shield |

| Circuit Ref | Motorola Part No. | Description |
|-------------|-------------------|----------------------------|
| SH3801 | 2680513Z01 | VCO Top Shield |
| SH3802 | 2680514Z01 | VCO Buffer IC Shield |
| SH400 | 2680505Z01 | Controller Memory Shield |
| SH401 | 2680506Z01 | Controller On-off Shield |
| SH402 | 2680515Z01 | Microprocessor Shield |
| SH403 | 2680516Z01 | Asfic_Cmp, Audio PA Shield |
| T3301 | 2580541Z02 | Balun Transformer |
| T3302 | 2580541Z02 | Balun Transformer |
| U303 | 5113818A01 | IC Sing Supply |
| U3201 | 5102463J58 | 3.3V Regulator |
| U3220 | 5186144B01 | IF IC |
| U3221 | 5109522E10 | Inverter IC |
| U3501 | 5185130C65 | ASFIC CMP IC |
| U3502 | 5185765B26 | LDMOS Driver IC |
| U3503 | 5185963A15 | PCIC |
| U3701 | 5185963A27 | Temperature Sensor |
| U3711 | 5105739X05 | 5V Regulator |
| U3801 | 5105750U54 | VCO Buffer IC |
| U400 | 5102463J40 | 3.3V Regulator |
| U404 | 5185130C53 | LV FRAC-N IC |
| U405 | 5102463J36 | Static RAM 32K X 8 |
| U406 | *5102463J60 | Flash ROM 512K X 8 |
| U407 | *5102495J05 | EEPROM 16K X 8 |
| U409 | 5102226J56 | Microprocessor IC |
| U410 | 5102463J57 | 3.3V Regulator |
| U420 | 5102463J44 | Audio PA |
| VR3501 | 4880140L17 | Zener Diode |
| VR432 | 4805656W08 | Zener Diode |
| VR433 | 4805656W08 | Zener Diode |
| VR434 | 4802245J73 | Zener Diode 6.8V |
| VR439 | 4880140L17 | Zener Diode |
| VR440 | NOT PLACED | |
| VR441 | NOT PLACED | |
| VR442 | NOT PLACED | |
| VR444 | NOT PLACED | |
| VR447 | 4802245J74 | Zener Diode 10V |
| VR448 | 4802245J74 | Zener Diode 10V |
| VR449 | 4802245J74 | Zener Diode 10V |

| Circuit Ref | Motorola Part No. | Description |
|-------------|-------------------|------------------------------|
| VR450 | 4802245J75 | Zener Diode 12V |
| VR460 | 4802245J73 | Zener Diode 6.8V |
| VR501 | 4802245J73 | Zener Diode 6.8V |
| VR506 | 4802245J73 | Zener Diode 6.8V |
| Y3200 | 9180022M11 | 44.85MHZ Crystal Filter |
| Y3201 | 4802245J84 | 44.395MHz Crystal Oscillator |
| Y3202 | 9186145B02 | 455KHZ Discriminator |
| Y3203 | 9180469V05 | 455KHz 6-Pole Ceramic Filter |
| Y3204 | 9180469V03 | 455KHz 6-Pole Ceramic Filter |
| Y3205 | 9180468V05 | 455KHz 4-Pole Ceramic Filter |
| Y3761 | 4805875Z04 | 16.8 MHz Crystal Oscillator |
| | 8486473Z04 | VHF PC Board |

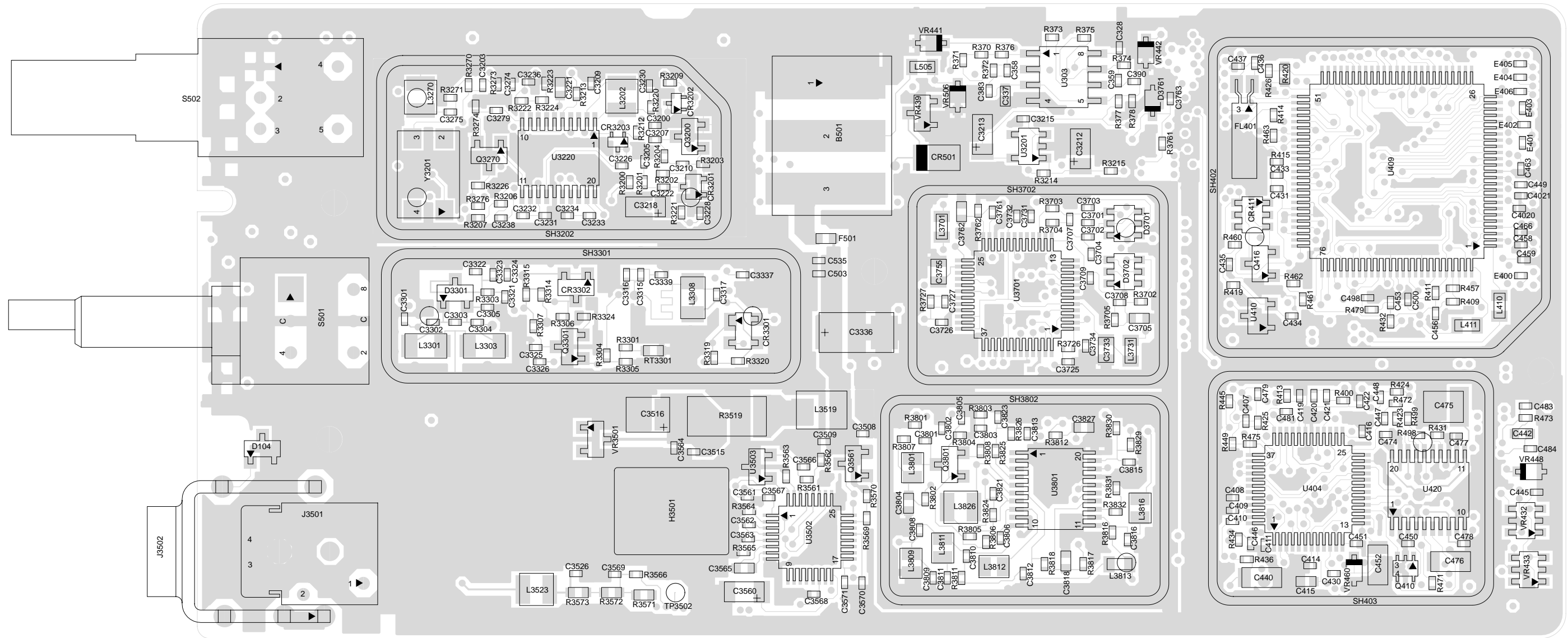
* Motorola Depot Servicing only

9.24 VHF Circuit Board/Schematic Diagrams and Parts List (PCB 8415112H01)



ZMY30008-O

Figure 9-216. VHF (136-174 MHz) Main Board Top Side PCB No. 8415112H01



ZMY30009-O

Figure 9-217. VHF (136-174 MHz) Main Board Bottom Side PCB No. 8415112H01

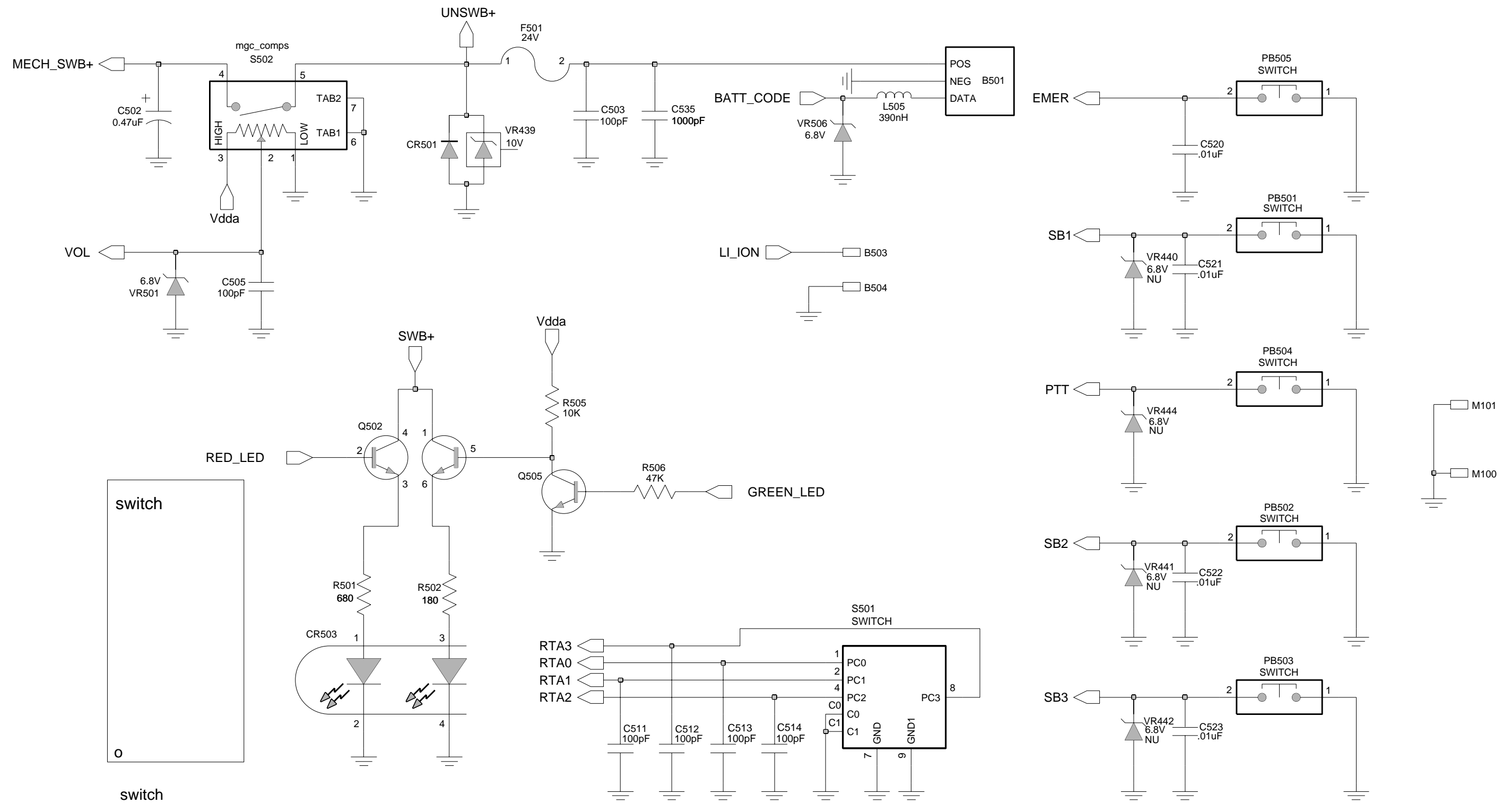


Figure 9-218. VHF Controls And Switches Schematic Diagram

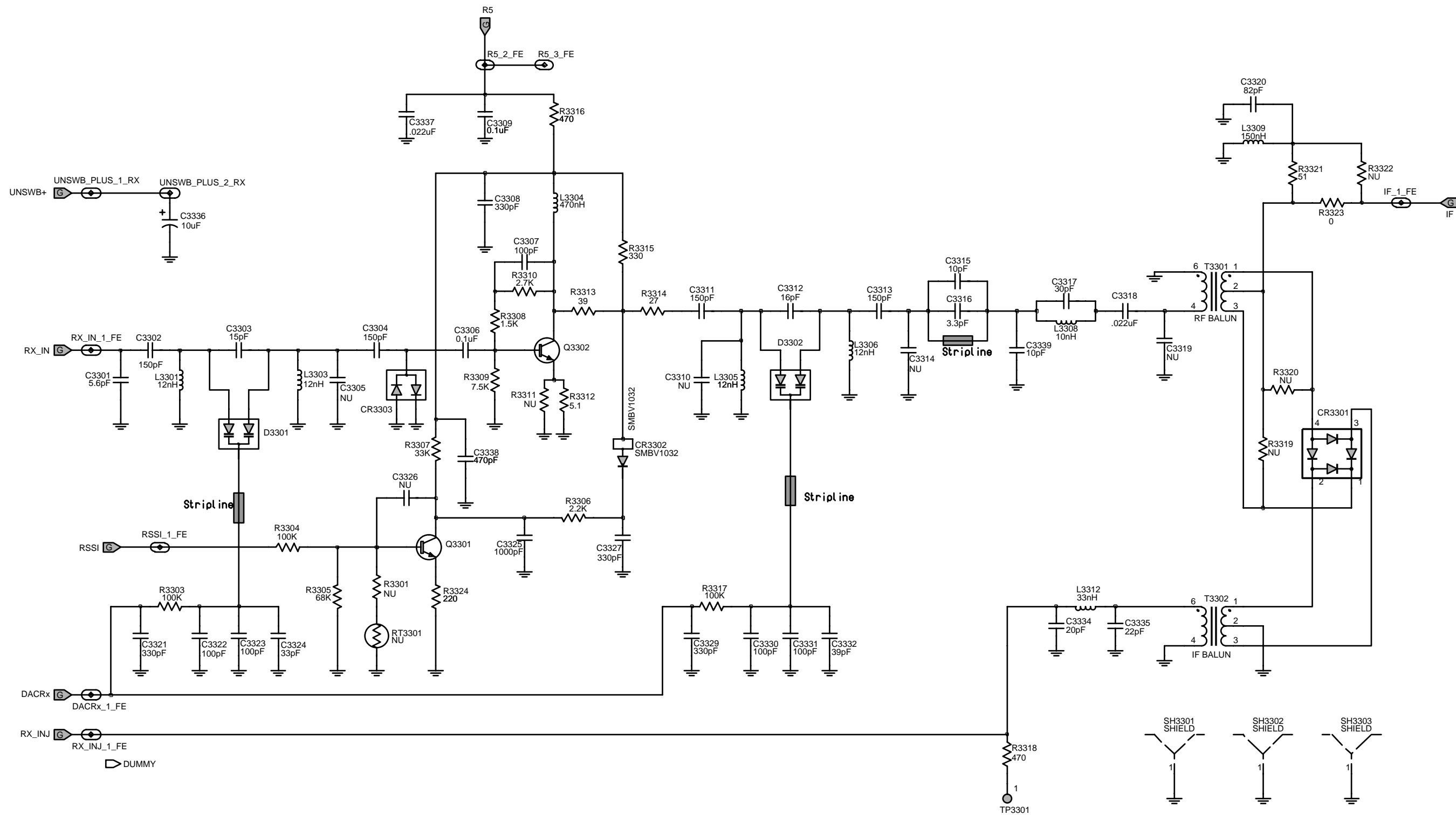


Figure 9-219. VHF Receiver Front End Schematic Diagram

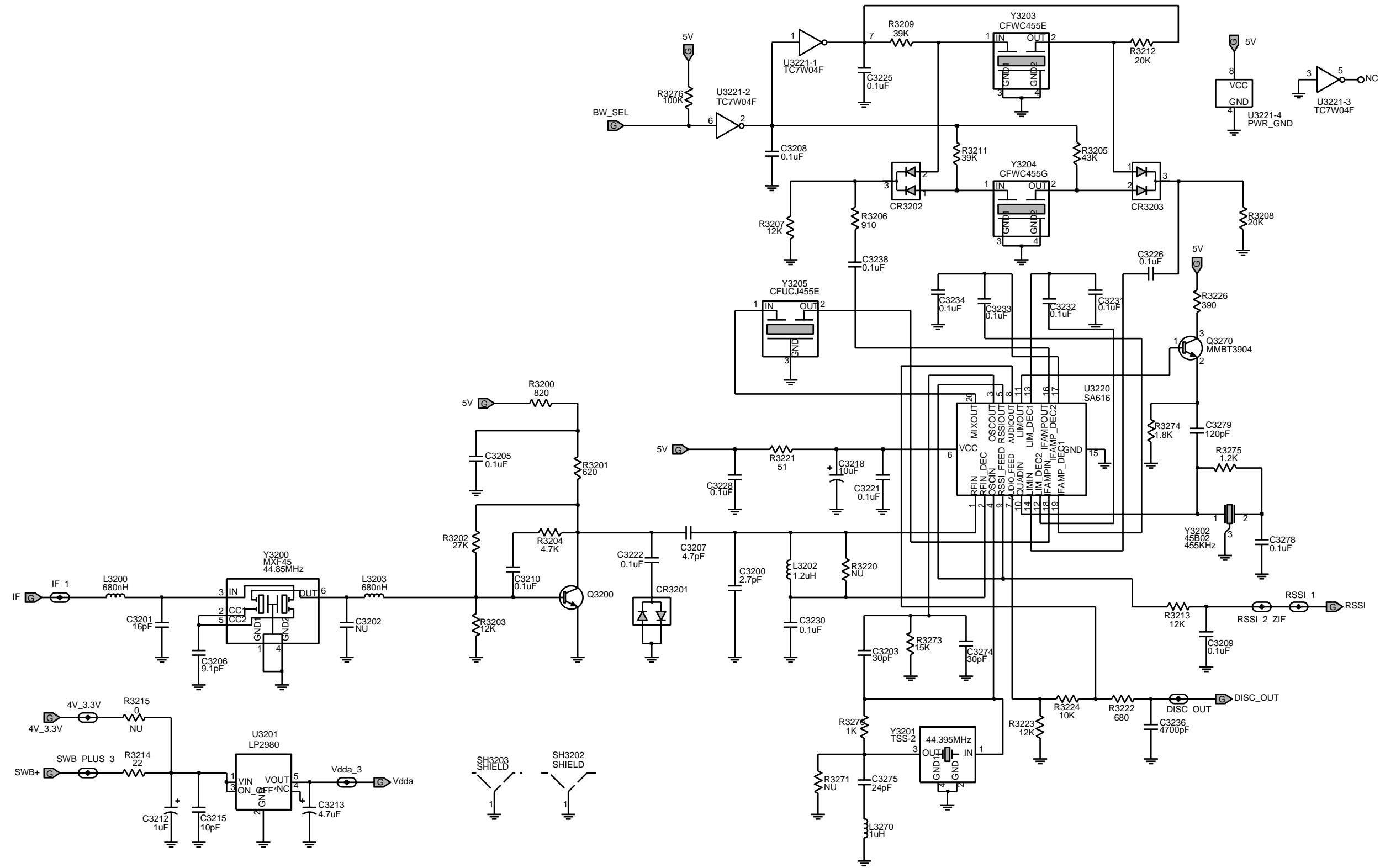
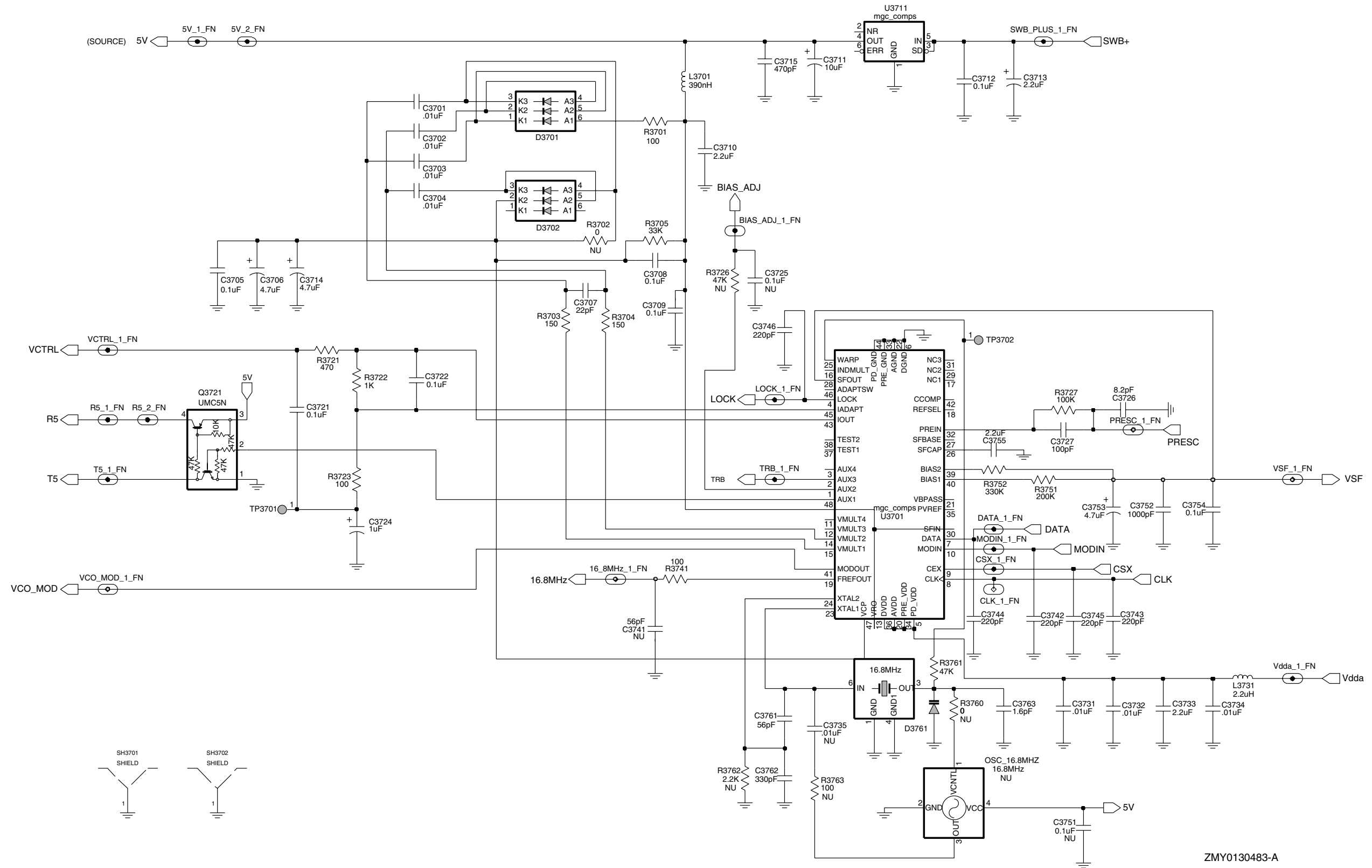


Figure 9-220. VHF Receiver Back End Schematic Diagram



ZMY0130483-A

Figure 9-221. VHF Synthesizer Schematic Diagram

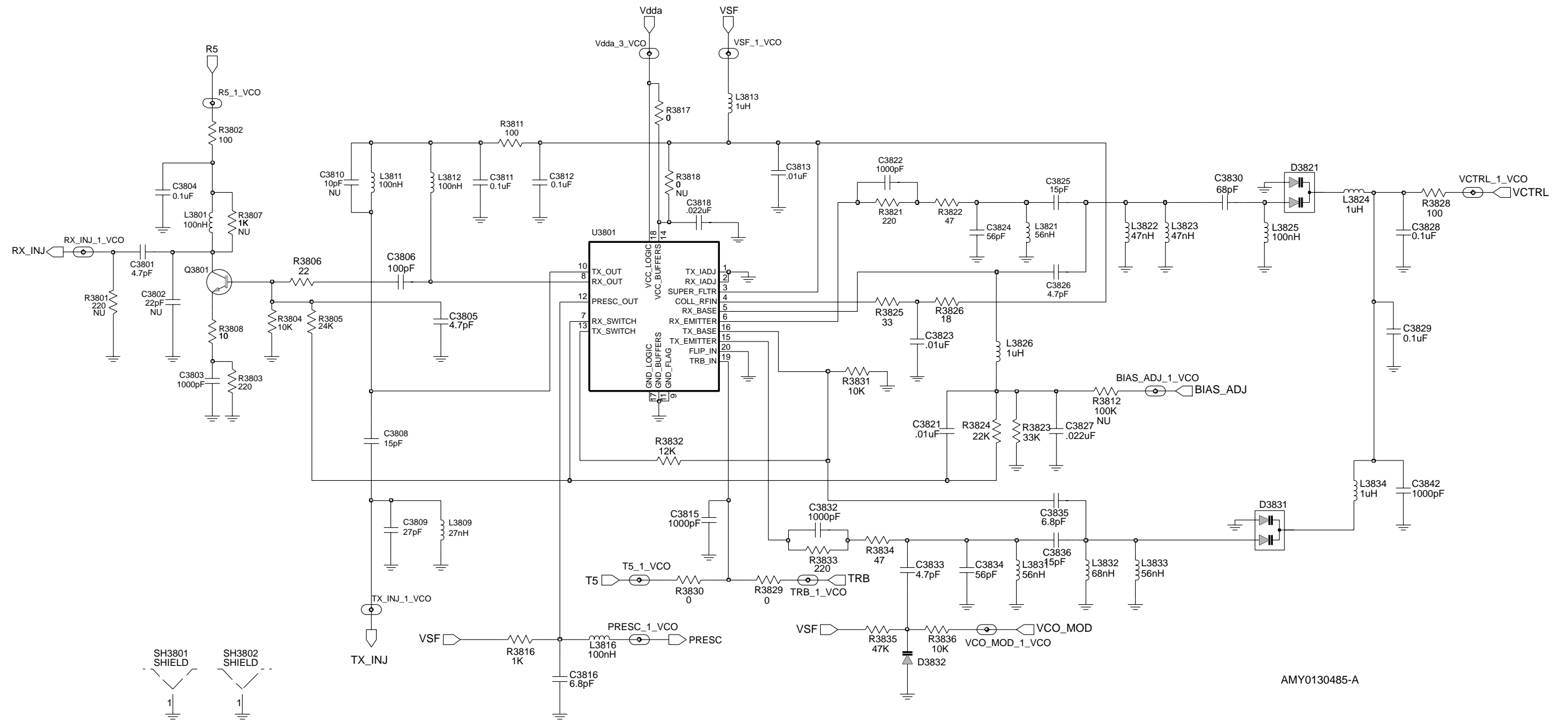
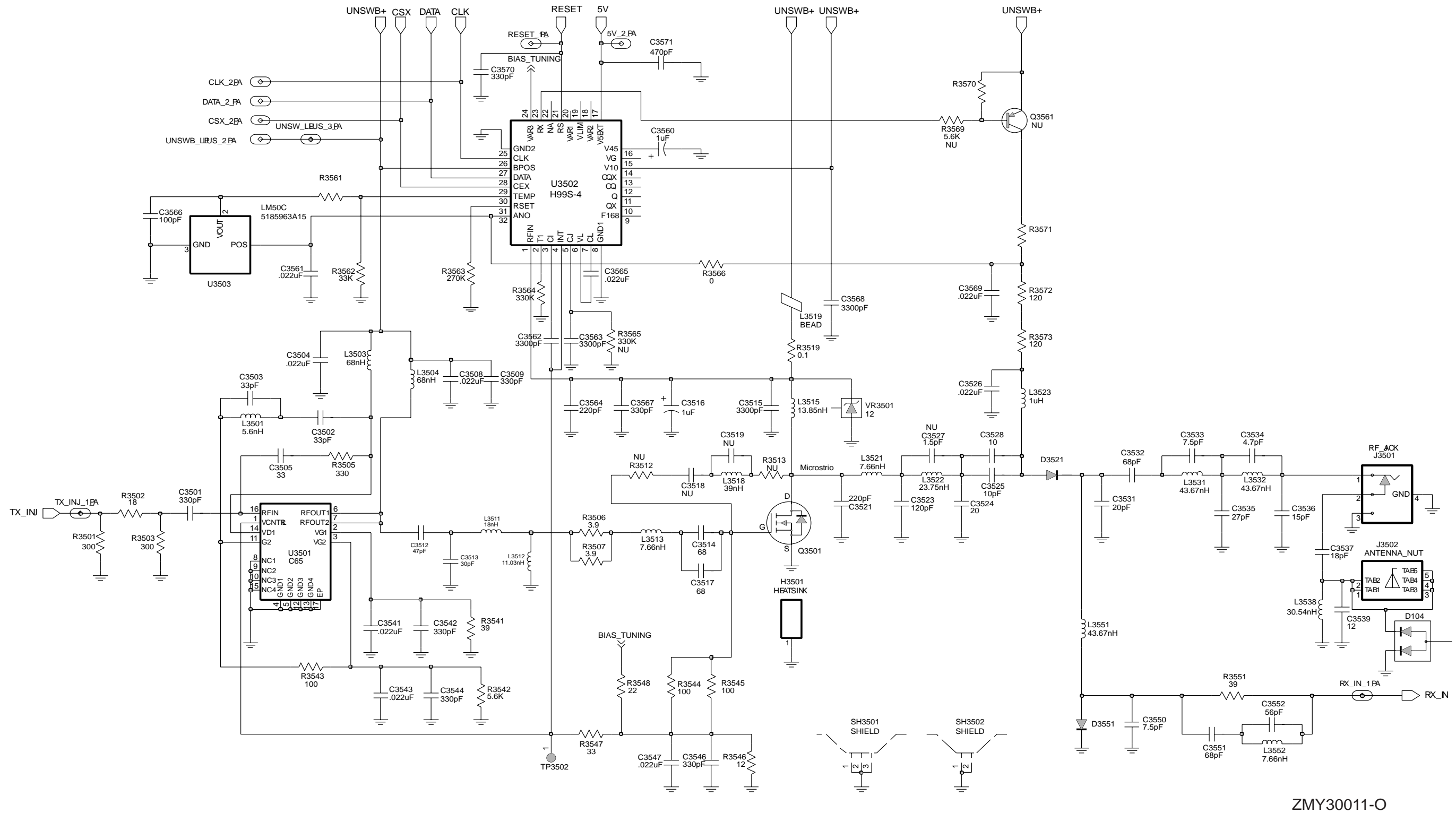


Figure 9-222. VHF Voltage Controlled Oscillator Schematic Diagram



ZMY30011-O

Figure 9-223. VHF Transmitter Schematic Diagram

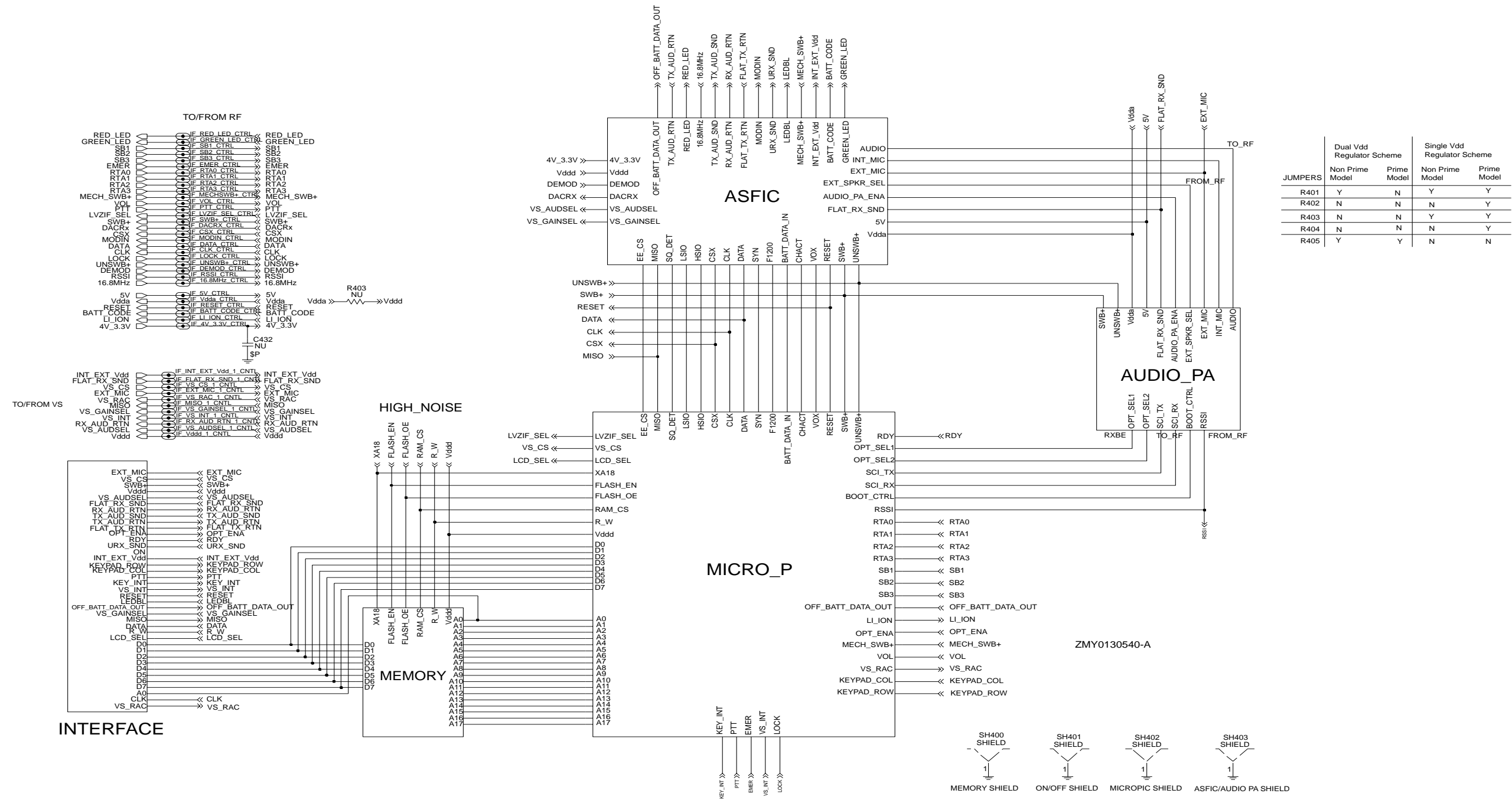
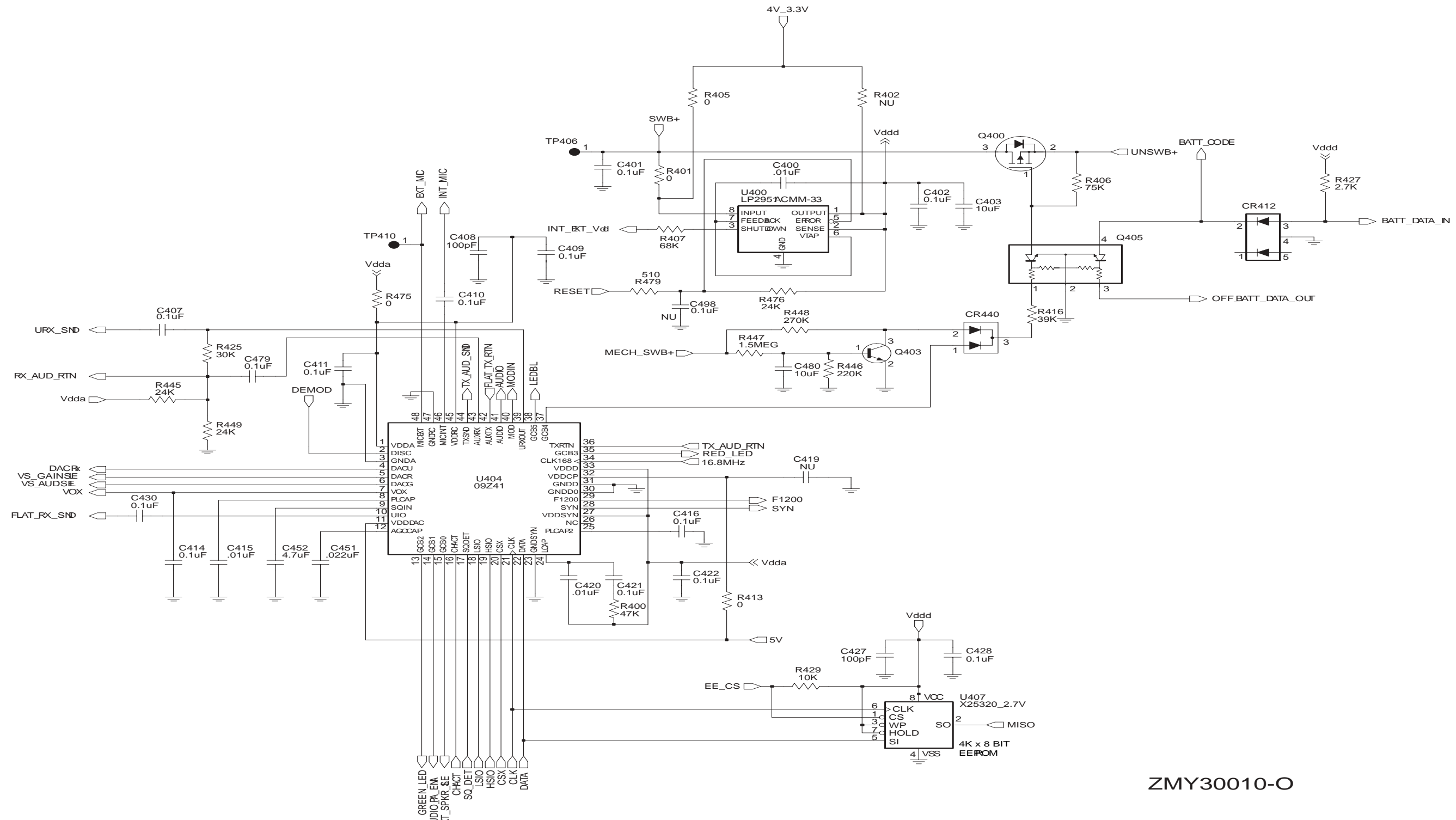


Figure 9-224. Complete Controller Schematic Diagram



ZMY30010-O

Figure 9-225. Controller ASFIC/ON_OFF Schematic Diagram

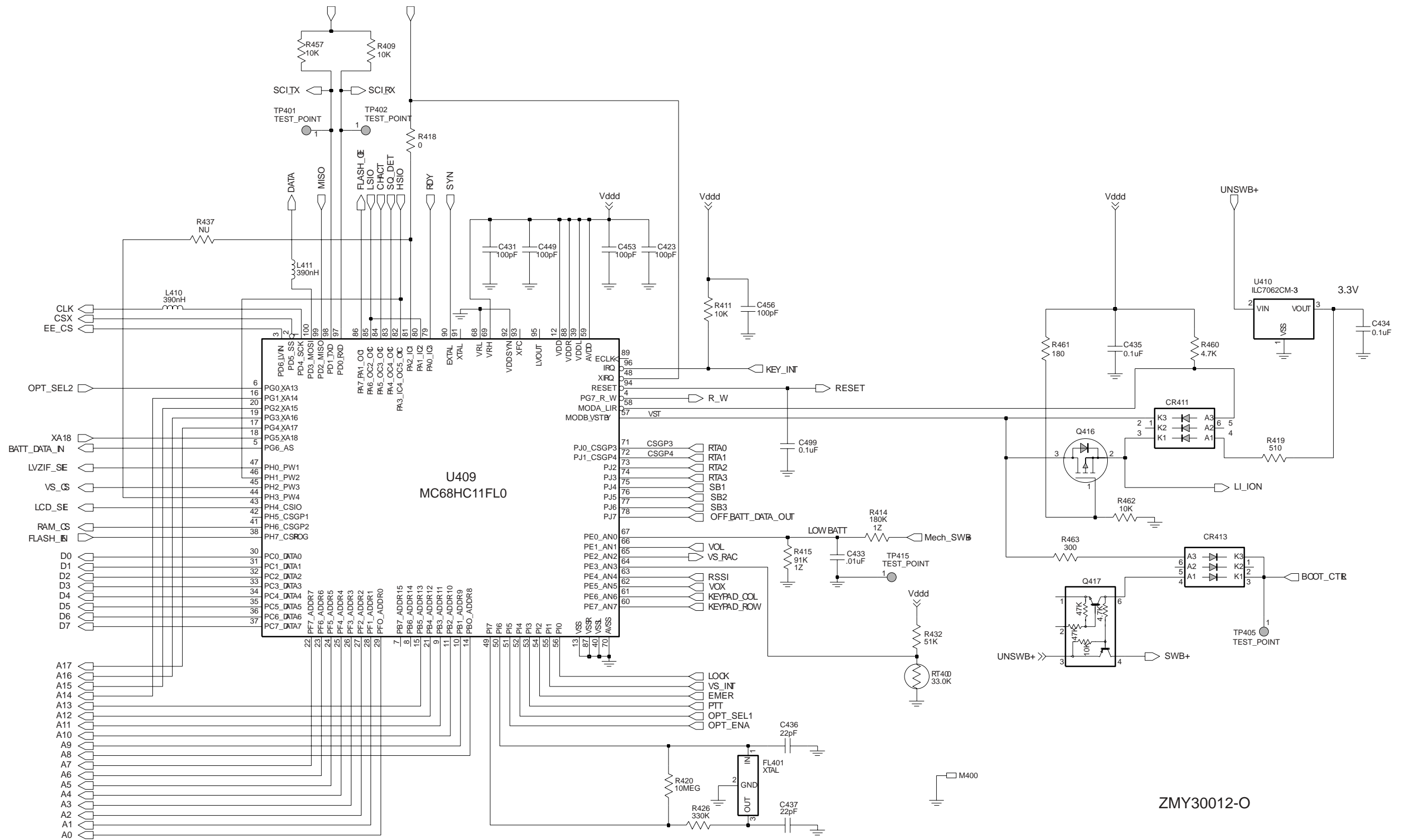
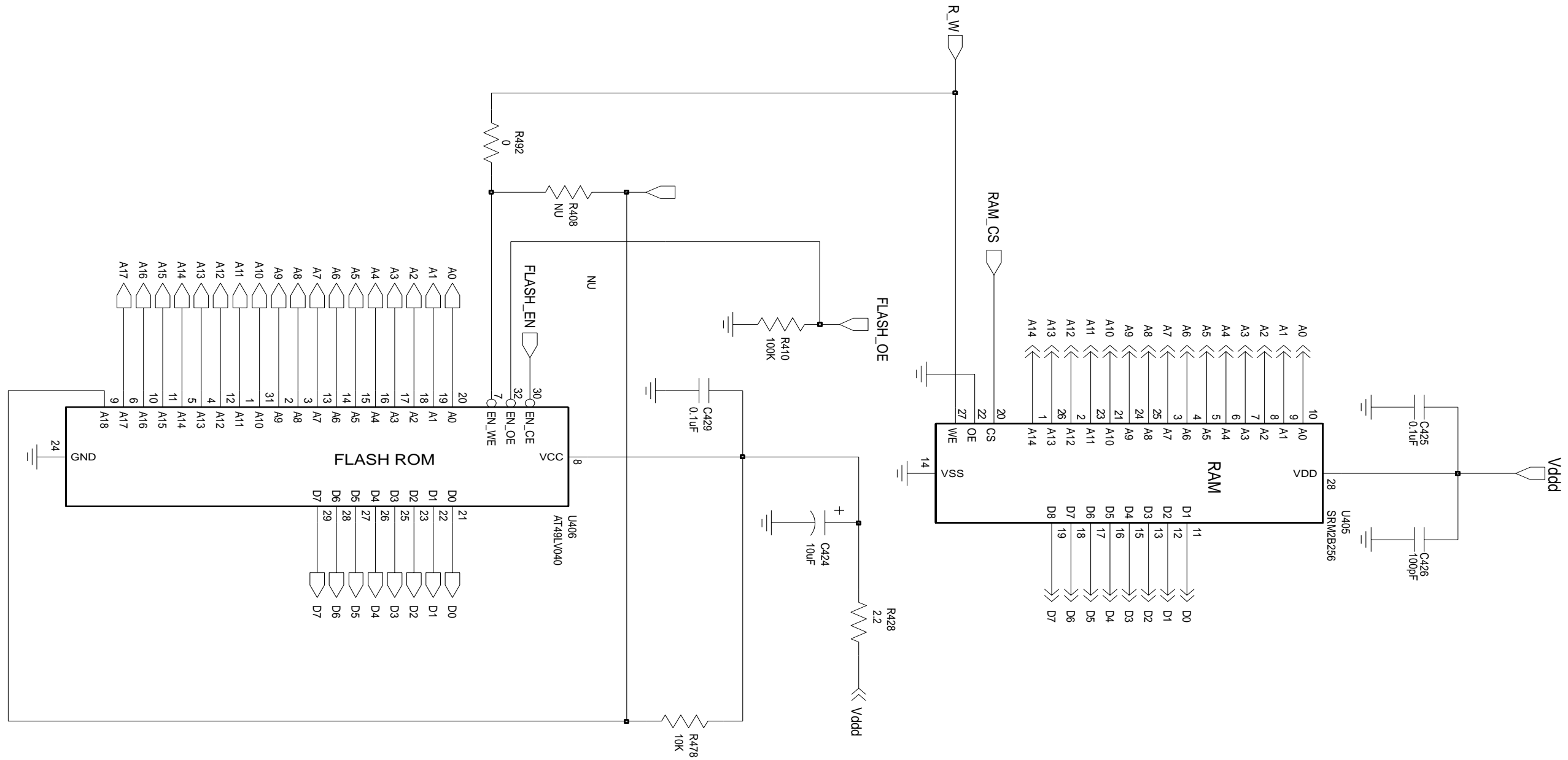


Figure 9-226. Controller Microprocessor Schematic Diagram



ZNV0130543-A

Figure 9-227. Controller Memory Schematic Diagram

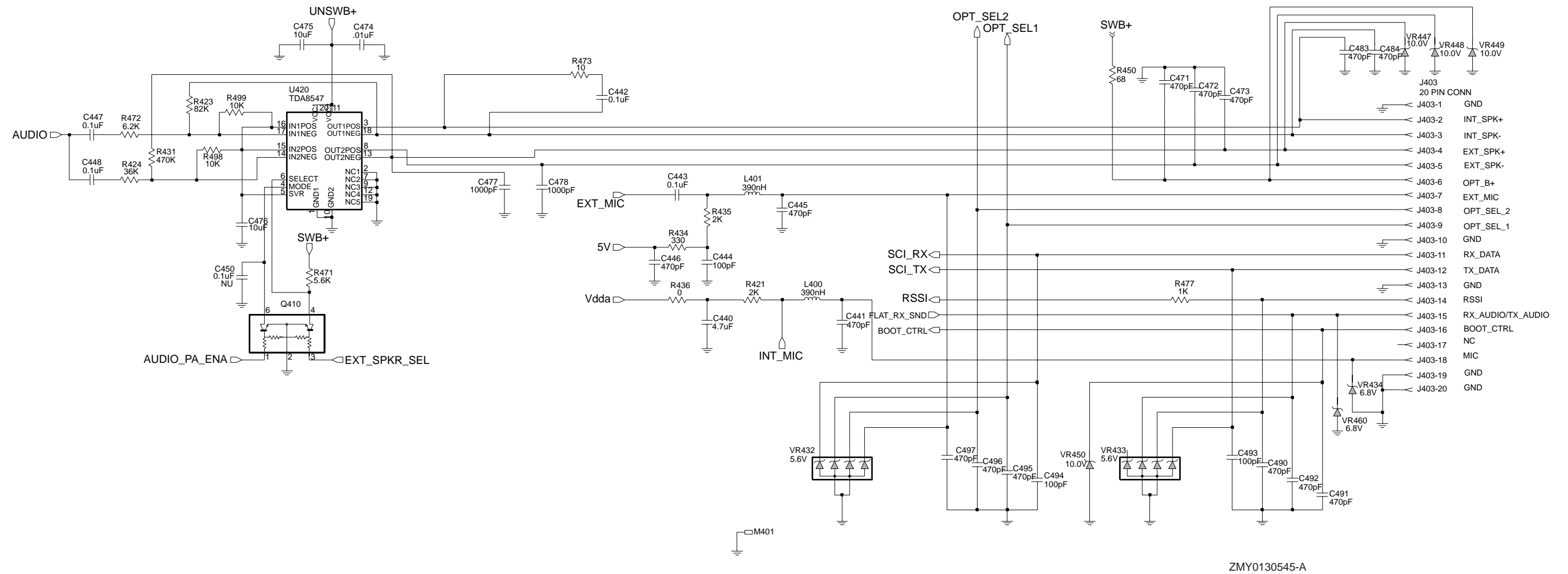


Figure 9-228. Controller Audio Power Amplifier Schematic Diagram

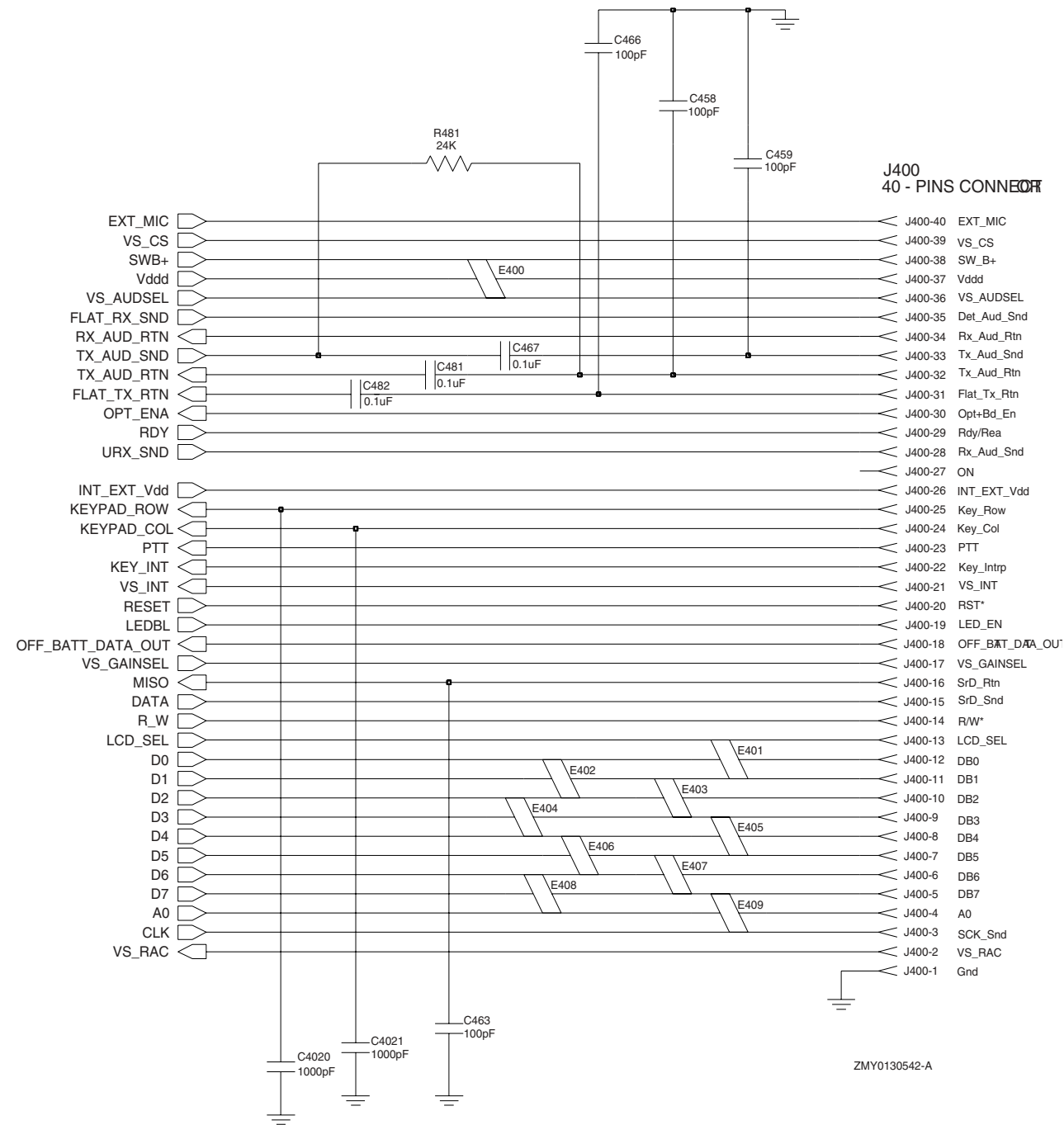


Figure 9-229. Controller Interface Schematic Diagram

VHF (136-174 MHz) Radio Parts List (PCB 8415112H01)

| Circuit Ref | Motorola Part No. | Description |
|-------------|-------------------|--------------------------------------|
| B501 | 0986237A02 | Connector (Contact Battery) |
| B503 | 3980502Z01 | Contact, Backup B+ |
| B504 | 3980501Z01 | Contact, Backup B- |
| C3200 | 2113944A11 | CAP CER CHP 2.7PF 50V +/- 0.25PF |
| C3201 | 2113944A79 | CAP,FXD,16PF,,+5%,-5%,50V-DC,0402,C |
| C3202 | NOTPLACED | - |
| C3203 | 2115075H02 | CAP,CERAMIC CHIP,30PF,,+5%,-5%,50V- |
| C3205 | 2113946K02 | CAP CER CHP 0.10UF 16V |
| C3206 | 2115153H26 | CAP, CERAMIC, COG |
| C3207 | 2113944A17 | CAP CER CHP 4.7PF 50V +/- 0.25PF |
| C3208 | 2113946K02 | CAP CER CHP 0.10UF 16V |
| C3209 | 2113946K02 | CAP CER CHP 0.10UF 16V |
| C3210 | 2113946K02 | CAP CER CHP 0.10UF 16V |
| C3212 | 2313960B01 | CAP TANT 1.0 UF 10% 16V 3216-18 |
| C3213 | 2313960B30 | CAP TANT 4.7 UF 10% 10V 3216-18 |
| C3215 | 2113944A25 | CAP CER CHP 10.0PF 50V +/- 0.5PF |
| C3218 | 2313960B57 | CAP,TANTA-LUM,10UF,+10%,-10%,4V-DC,S |
| C3221 | 2113945D04 | CAP CER CHP 100,000PF 25V 10% |
| C3222 | 2113946K02 | CAP CER CHP 0.10UF 16V |
| C3225 | 2113946K02 | CAP CER CHP 0.10UF 16V |
| C3226 | 2113946K02 | CAP CER CHP 0.10UF 16V |
| C3228 | 2113946K02 | CAP CER CHP 0.10UF 16V |
| C3230 | 2113946K02 | CAP CER CHP 0.10UF 16V |
| C3231 | 2113946K02 | CAP CER CHP 0.10UF 16V |
| C3232 | 2113946K02 | CAP CER CHP 0.10UF 16V |
| C3233 | 2113946K02 | CAP CER CHP 0.10UF 16V |
| C3234 | 2113946K02 | CAP CER CHP 0.10UF 16V |
| C3236 | 2113945A13 | CAP CER CHP 4700PF 50V 10% |
| C3238 | 2113946K02 | CAP CER CHP 0.10UF 16V |
| C3274 | 2115075H02 | CAP,CERAMIC CHIP,30PF,,+5%,-5%,50V- |
| C3275 | 2115075H01 | CAP,CERAMIC CHIP,24PF,,+5%,-5%,50V- |
| C3278 | 2113945D04 | CAP CER CHP 100,000PF 25V 10% |
| C3279 | 2113944A41 | CAP CER CHP 120.0PF 50V 5% |
| C328 | 2113946K02 | CAP CER CHP 0.10UF 16V |

| Circuit Ref | Motorola Part No. | Description |
|-------------|-------------------|-------------------------------------|
| C3301 | 2113944A19 | CAP CER CHP 5.6PF 50V +/- 0.5PF |
| C3302 | 2113944A42 | CAP CER CHP 150.0PF 50V 5% |
| C3303 | 2113944A27 | CAP CER CHP 15.0PF 50V 5% |
| C3304 | 2113944A42 | CAP CER CHP 150.0PF 50V 5% |
| C3305 | NOTPLACED | - |
| C3306 | 2113946B04 | CAP CER CHP 0.10UF 10V 10% |
| C3307 | 2113944A40 | CAP CER CHP 100.0PF 50V 5% |
| C3308 | 2113945A03 | CAP CER CHP 330PF 50V 10% |
| C3309 | 2113946B04 | CAP CER CHP 0.10UF 10V 10% |
| C3310 | NOTPLACED | - |
| C3311 | 2113944A42 | CAP CER CHP 150.0PF 50V 5% |
| C3312 | 2113944A79 | CAP,FXD,16PF,,+5%,-5%,50V-DC,0402,C |
| C3313 | 2113944A42 | CAP CER CHP 150.0PF 50V 5% |
| C3314 | NOTPLACED | - |
| C3315 | 2113944A25 | CAP CER CHP 10.0PF 50V +/- 0.5PF |
| C3316 | 2113944A13 | CAP CER CHP 3.3PF 50V +/- 0.25PF |
| C3317 | 2115075H02 | CAP,CERAMIC CHIP,30PF,,+5%,-5%,50V- |
| C3318 | 2113945B04 | CAP,FXD,.022UF,,+10%,-10%,25V-DC,04 |
| C3319 | NOTPLACED | - |
| C3320 | 2113944A38 | CAP CER CHP 82.0PF 50V 5% |
| C3321 | 2113945A03 | CAP CER CHP 330PF 50V 10% |
| C3322 | 2113944A40 | CAP CER CHP 100.0PF 50V 5% |
| C3323 | 2113944A40 | CAP CER CHP 100.0PF 50V 5% |
| C3324 | 2113944A31 | CAP CER CHP 33.0PF 50V 5% |
| C3325 | 2113945A09 | CAP CER CHP 1000PF 50V 10% |
| C3326 | NOTPLACED | - |
| C3327 | 2113945A03 | CAP CER CHP 330PF 50V 10% |
| C3329 | 2113945A03 | CAP CER CHP 330PF 50V 10% |

| Circuit Ref | Motorola Part No. | Description |
|-------------|-------------------|-------------------------------------|
| C3330 | 2113944A40 | CAP CER CHP 100.0PF 50V 5% |
| C3331 | 2113944A40 | CAP CER CHP 100.0PF 50V 5% |
| C3332 | 2113944A32 | CAP CER CHP 39.0PF 50V 5% |
| C3334 | 2113944A80 | CAP,FXD,20PF,,+5%,-5%,50V-DC,0402,C |
| C3335 | 2113944A29 | CAP CER CHP 22.0PF 50V 5% |
| C3336 | 2313960F04 | CAP TANT 33 UF 10% 16V 6032-28 |
| C3337 | 2113945B04 | CAP,FXD,.022UF,,+10%,-10%,25V-DC,04 |
| C3338 | 2113945A05 | CAP CER CHP 470PF 50V 10% |
| C3339 | 2113944A25 | CAP CER CHP 10.0PF 50V +/- 0.5PF |
| C337 | 2113946D02 | CAP CER CHP 1.0UF 6.3V 10% |
| C3501 | 2113945A03 | CAP CER CHP 330PF 50V 10% |
| C3502 | 2113944A31 | CAP CER CHP 33.0PF 50V 5% |
| C3503 | 2113944A31 | CAP CER CHP 33.0PF 50V 5% |
| C3504 | 2113945B04 | CAP,FXD,.022UF,,+10%,-10%,25V-DC,04 |
| C3505 | 2113944A31 | CAP CER CHP 33.0PF 50V 5% |
| C3508 | 2113945B04 | CAP,FXD,.022UF,,+10%,-10%,25V-DC,04 |
| C3509 | 2113945A03 | CAP CER CHP 330PF 50V 10% |
| C3512 | 2113944C38 | CAP CER CHP 47.0PF 50V 5% |
| C3513 | 2113944C82 | CAP,FXD,30PF,,+5%,-5%,50V-DC,0603,C |
| C3514 | 2113944C41 | CAP CER CHP 68.0PF 50V 5% |
| C3515 | 2113945A12 | CAP CER CHP 3300PF 50V 10% |
| C3516 | 2313960C26 | CAP TANT 1.0 UF 10% 35V 3528-21 |
| C3517 | 2113944C41 | CAP CER CHP 68.0PF 50V 5% |
| C3518 | NOTPLACED | - |
| C3519 | NOTPLACED | - |
| C3521 | 2111078B51 | CAP CHIP RF 220 5 NPO 100V |

| Circuit Ref | Motorola Part No. | Description |
|-------------|-------------------|-------------------------------------|
| C3523 | 2111078B44 | CAP CHIP RF 120 5 NPO 100V |
| C3524 | 2113944C80 | CAP,FXD,20PF,,+5%,-5%,50V-DC,0603,C |
| C3525 | 2113944C30 | CAP CER CHP 10.0PF 50V +/- 0.5PF |
| C3526 | 2113945B04 | CAP,FXD,.022UF,,+10%,-10%,25V-DC,04 |
| C3527 | NOTPLACED | - |
| C3528 | 2113944C30 | CAP CER CHP 10.0PF 50V +/- 0.5PF |
| C3531 | 2113944C80 | CAP,FXD,20PF,,+5%,-5%,50V-DC,0603,C |
| C3532 | 2113944C41 | CAP CER CHP 68.0PF 50V 5% |
| C3533 | 2113944C27 | CAP CER CHP 7.5PF 50V +/- 0.5PF |
| C3534 | 2113944C22 | CAP CER CHP 4.7PF 50V +/- 0.25PF |
| C3535 | 2113944C35 | CAP CER CHP 27.0PF 50V 5% |
| C3536 | 2113944C32 | CAP CER CHP 15.0PF 50V 5% |
| C3537 | 2113944C33 | CAP CER CHP 18.0PF 50V 5% |
| C3539 | 2113944C31 | CAP CER CHP 12.0PF 50V 5% |
| C3541 | 2113945B04 | CAP,FXD,.022UF,,+10%,-10%,25V-DC,04 |
| C3542 | 2113945A03 | CAP CER CHP 330PF 50V 10% |
| C3543 | 2113945B04 | CAP,FXD,.022UF,,+10%,-10%,25V-DC,04 |
| C3544 | 2113945A03 | CAP CER CHP 330PF 50V 10% |
| C3546 | 2113945A03 | CAP CER CHP 330PF 50V 10% |
| C3547 | 2113945B04 | CAP,FXD,.022UF,,+10%,-10%,25V-DC,04 |
| C3550 | 2113944A22 | CAP CER CHP 7.5PF 50V +/- 0.5PF |
| C3551 | 2113944A36 | CAP CER CHP 68.0PF 50V 5% |
| C3552 | 2113944A34 | CAP CER CHP 56.0PF 50V 5% |
| C3560 | 2313960B01 | CAP TANT 1.0 UF 10% 16V 3216-18 |
| C3561 | 2113945B04 | CAP,FXD,.022UF,,+10%,-10%,25V-DC,04 |
| C3562 | 2113945A12 | CAP CER CHP 3300PF 50V 10% |

| Circuit Ref | Motorola Part No. | Description |
|-------------|-------------------|-------------------------------------|
| C3563 | 2113945A12 | CAP CER CHP 3300PF 50V 10% |
| C3564 | 2113945A01 | CAP CER CHP 220PF 50V 10% |
| C3565 | 2113945C04 | CAP CER CHP 22,000PF 50V 10% |
| C3566 | 2113944A40 | CAP CER CHP 100.0PF 50V 5% |
| C3567 | 2113945A03 | CAP CER CHP 330PF 50V 10% |
| C3568 | 2113945A12 | CAP CER CHP 3300PF 50V 10% |
| C3569 | 2113945B04 | CAP,FXD,.022UF,,+10%,-10%,25V-DC,04 |
| C3570 | 2113945A03 | CAP CER CHP 330PF 50V 10% |
| C3571 | 2113945A05 | CAP CER CHP 470PF 50V 10% |
| C358 | 2113944A21 | CAP CER CHP 6.8PF 50V +/-0.5PF |
| C359 | 2113944A79 | CAP,FXD,16PF,,+5%,-5%,50V-DC,0402,C |
| C3701 | 2113945B02 | CAP CER CHP 10,000PF 25V 10% |
| C3702 | 2113945B02 | CAP CER CHP 10,000PF 25V 10% |
| C3703 | 2113945B02 | CAP CER CHP 10,000PF 25V 10% |
| C3704 | 2113945B02 | CAP CER CHP 10,000PF 25V 10% |
| C3705 | 2113945D04 | CAP CER CHP 100,000PF 25V 10% |
| C3706 | 2313960D05 | CAP TANT 4.7 UF 10% 16V 3528-21 |
| C3707 | 2113944A29 | CAP CER CHP 22.0PF 50V 5% |
| C3708 | 2113946B04 | CAP CER CHP 0.10UF 10V 10% |
| C3709 | 2113946B04 | CAP CER CHP 0.10UF 10V 10% |
| C3710 | 2113946N03 | CAP CER CHP 2.2UF 16V |
| C3711 | 2313960M51 | CAP TANT 10 UF 10% 6.3V 2012-12 |
| C3712 | 2113946B04 | CAP CER CHP 0.10UF 10V 10% |
| C3713 | 2313960C78 | CAP TANT 2.2 UF 10% 20V 3528-21 |
| C3714 | 2313960D05 | CAP TANT 4.7 UF 10% 16V 3528-21 |
| C3715 | 2113945A05 | CAP CER CHP 470PF 50V 10% |

| Circuit Ref | Motorola Part No. | Description |
|-------------|-------------------|---------------------------------|
| C3721 | 2113945D04 | CAP CER CHP 100,000PF 25V 10% |
| C3722 | 2113945D04 | CAP CER CHP 100,000PF 25V 10% |
| C3724 | 2313960C26 | CAP TANT 1.0 UF 10% 35V 3528-21 |
| C3725 | NOTPLACED | - |
| C3726 | 2113944A23 | CAP CER CHP 8.2PF 50V +/-0.5PF |
| C3727 | 2113944A40 | CAP CER CHP 100.0PF 50V 5% |
| C3731 | 2113945B02 | CAP CER CHP 10,000PF 25V 10% |
| C3732 | 2113945B02 | CAP CER CHP 10,000PF 25V 10% |
| C3733 | 2113946N03 | CAP CER CHP 2.2UF 16V |
| C3734 | 2113945B02 | CAP CER CHP 10,000PF 25V 10% |
| C3741 | NOTPLACED | - |
| C3742 | 2113945A01 | CAP CER CHP 220PF 50V 10% |
| C3743 | 2113945A01 | CAP CER CHP 220PF 50V 10% |
| C3744 | 2113945A01 | CAP CER CHP 220PF 50V 10% |
| C3745 | 2113945A01 | CAP CER CHP 220PF 50V 10% |
| C3746 | 2113945A01 | CAP CER CHP 220PF 50V 10% |
| C3752 | 2113945A09 | CAP CER CHP 1000PF 50V 10% |
| C3753 | 2313960B30 | CAP TANT 4.7 UF 10% 10V 3216-18 |
| C3754 | 2113946B04 | CAP CER CHP 0.10UF 10V 10% |
| C3755 | 2113946N03 | CAP CER CHP 2.2UF 16V |
| C3761 | 2113944A33 | CAP CER CHP 47.0PF 50V 5% |
| C3762 | 2113944C04 | CAP CER CHP 330.0PF 50V 5% |
| C3763 | NOTPLACED | - |
| C3801 | 2113944A17 | CAP CER CHP 4.7PF 50V +/-0.25PF |
| C3802 | NOTPLACED | - |
| C3803 | 2113945A09 | CAP CER CHP 1000PF 50V 10% |
| C3804 | 2113945D04 | CAP CER CHP 100,000PF 25V 10% |
| C3805 | 2113944A17 | CAP CER CHP 4.7PF 50V +/-0.25PF |

| Circuit Ref | Motorola Part No. | Description |
|-------------|-------------------|-------------------------------------|
| C3806 | 2113944A40 | CAP CER CHP 100.0PF 50V 5% |
| C3808 | 2113944A27 | CAP CER CHP 15.0PF 50V 5% |
| C3809 | 2113944A30 | CAP CER CHP 27.0PF 50V 5% |
| C3810 | NOTPLACED | - |
| C3811 | 2113946B04 | CAP CER CHP 0.10UF 10V 10% |
| C3812 | 2113946B04 | CAP CER CHP 0.10UF 10V 10% |
| C3813 | 2113945B02 | CAP CER CHP 10,000PF 25V 10% |
| C3815 | 2113945A09 | CAP CER CHP 1000PF 50V 10% |
| C3816 | 2113944A21 | CAP CER CHP 6.8PF 50V +/-0.5PF |
| C3818 | 2113945C04 | CAP CER CHP 22,000PF 50V 10% |
| C3821 | 2113945B02 | CAP CER CHP 10,000PF 25V 10% |
| C3822 | 2113945A09 | CAP CER CHP 1000PF 50V 10% |
| C3823 | 2113945B02 | CAP CER CHP 10,000PF 25V 10% |
| C3824 | 2113944A34 | CAP CER CHP 56.0PF 50V 5% |
| C3825 | 2113944A27 | CAP CER CHP 15.0PF 50V 5% |
| C3826 | 2113944A17 | CAP CER CHP 4.7PF 50V +/-0.25PF |
| C3827 | 2113945C04 | CAP CER CHP 22,000PF 50V 10% |
| C3828 | 2185895Z01 | CAPACITOR CER LOW DIST .01UF |
| C3829 | 2185895Z01 | CAPACITOR CER LOW DIST .01UF |
| C383 | 2115075H03 | CAP,CERAMIC CHIP,51PF,,+5%,-5%,50V- |
| C3830 | 2113944A36 | CAP CER CHP 68.0PF 50V 5% |
| C3832 | 2113945A09 | CAP CER CHP 1000PF 50V 10% |
| C3833 | 2113944A17 | CAP CER CHP 4.7PF 50V +/-0.25PF |
| C3834 | 2113944A34 | CAP CER CHP 56.0PF 50V 5% |
| C3835 | 2113944A21 | CAP CER CHP 6.8PF 50V +/-0.5PF |
| C3836 | 2113944A27 | CAP CER CHP 15.0PF 50V 5% |

| Circuit Ref | Motorola Part No. | Description |
|-------------|-------------------|--------------------------------------|
| C3842 | 2113945A09 | CAP CER CHP 1000PF 50V 10% |
| C390 | 2115075H03 | CAP,CERAMIC CHIP,51PF,,+5%,-5%,50V- |
| C400 | 2113945B02 | CAP CER CHP 10,000PF 25V 10% |
| C401 | 2113946B04 | CAP CER CHP 0.10UF 10V 10% |
| C402 | 2113946B04 | CAP CER CHP 0.10UF 10V 10% |
| C4020 | NOTPLACED | - |
| C4021 | NOTPLACED | - |
| C403 | 2113743G24 | CAP CHIP 2.2 UF 16V+80-20% |
| C407 | 2113946B04 | CAP CER CHP 0.10UF 10V 10% |
| C408 | 2113944A40 | CAP CER CHP 100.0PF 50V 5% |
| C409 | 2113946B04 | CAP CER CHP 0.10UF 10V 10% |
| C410 | 2113946B04 | CAP CER CHP 0.10UF 10V 10% |
| C411 | 2113946B04 | CAP CER CHP 0.10UF 10V 10% |
| C414 | 2113946B04 | CAP CER CHP 0.10UF 10V 10% |
| C415 | 2185895Z01 | CAPACITOR CER LOW DIST .01UF |
| C416 | 2113946B04 | CAP CER CHP 0.10UF 10V 10% |
| C419 | 2113945B02 | CAP CER CHP 10,000PF 25V 10% |
| C420 | 2113945B02 | CAP CER CHP 10,000PF 25V 10% |
| C421 | 2113946B04 | CAP CER CHP 0.10UF 10V 10% |
| C422 | 2113946B04 | CAP CER CHP 0.10UF 10V 10% |
| C423 | 2113944A40 | CAP CER CHP 100.0PF 50V 5% |
| C424 | 2313960B57 | CAP,TANTA-LUM,10UF,+10%,-10%,4V-DC,S |
| C425 | 2113946B04 | CAP CER CHP 0.10UF 10V 10% |
| C426 | 2113944A40 | CAP CER CHP 100.0PF 50V 5% |
| C427 | 2113944A40 | CAP CER CHP 100.0PF 50V 5% |
| C428 | 2113946B04 | CAP CER CHP 0.10UF 10V 10% |

| Circuit Ref | Motorola Part No. | Description |
|-------------|-------------------|-------------------------------------|
| C429 | 2113946B04 | CAP CER CHP 0.10UF 10V 10% |
| C430 | 2113946B04 | CAP CER CHP 0.10UF 10V 10% |
| C431 | 2113944A40 | CAP CER CHP 100.0PF 50V 5% |
| C432 | NOTPLACED | - |
| C433 | 2113945B02 | CAP CER CHP 10,000PF 25V 10% |
| C434 | 2113946B04 | CAP CER CHP 0.10UF 10V 10% |
| C435 | 2113946B04 | CAP CER CHP 0.10UF 10V 10% |
| C436 | 2113944A29 | CAP CER CHP 22.0PF 50V 5% |
| C437 | 2113944A29 | CAP CER CHP 22.0PF 50V 5% |
| C440 | 2113946Q01 | CAP CER CHP 4.7UF 16V |
| C441 | 2113945A05 | CAP CER CHP 470PF 50V 10% |
| C442 | 2113945D04 | CAP CER CHP 100,000PF 25V 10% |
| C443 | 2113946B04 | CAP CER CHP 0.10UF 10V 10% |
| C444 | 2113944A40 | CAP CER CHP 100.0PF 50V 5% |
| C445 | 2113945A05 | CAP CER CHP 470PF 50V 10% |
| C446 | 2113945A05 | CAP CER CHP 470PF 50V 10% |
| C447 | 2113946B04 | CAP CER CHP 0.10UF 10V 10% |
| C448 | 2113946B04 | CAP CER CHP 0.10UF 10V 10% |
| C449 | 2113944A40 | CAP CER CHP 100.0PF 50V 5% |
| C450 | NOTPLACED | - |
| C451 | 2113945B04 | CAP,FXD,.022UF,+,10%,-10%,25V-DC,04 |
| C452 | 2113743B29 | CAP CHIP 1.00 UF 10% 16V |
| C453 | 2113944A40 | CAP CER CHP 100.0PF 50V 5% |
| C456 | 2113944A40 | CAP CER CHP 100.0PF 50V 5% |
| C458 | 2113944A40 | CAP CER CHP 100.0PF 50V 5% |
| C459 | 2113944A40 | CAP CER CHP 100.0PF 50V 5% |
| C463 | 2113944A40 | CAP CER CHP 100.0PF 50V 5% |

| Circuit Ref | Motorola Part No. | Description |
|-------------|-------------------|----------------------------------|
| C466 | 2113944A40 | CAP CER CHP 100.0PF 50V 5% |
| C467 | 2113946B04 | CAP CER CHP 0.10UF 10V 10% |
| C471 | 2113945A05 | CAP CER CHP 470PF 50V 10% |
| C472 | 2113945A05 | CAP CER CHP 470PF 50V 10% |
| C473 | 2113945A05 | CAP CER CHP 470PF 50V 10% |
| C474 | 2113945B02 | CAP CER CHP 10,000PF 25V 10% |
| C475 | 2113743H14 | CAP CHIP 10.0 UF 16V +80-20% |
| C476 | 2113946R01 | CAP CER CHP 10.0UF 10V |
| C477 | 2113945A09 | CAP CER CHP 1000PF 50V 10% |
| C478 | 2113945A09 | CAP CER CHP 1000PF 50V 10% |
| C479 | 2113946B04 | CAP CER CHP 0.10UF 10V 10% |
| C480 | 2113946R01 | CAP CER CHP 10.0UF 10V |
| C481 | 2113946B04 | CAP CER CHP 0.10UF 10V 10% |
| C482 | 2113946B04 | CAP CER CHP 0.10UF 10V 10% |
| C483 | 2113945A05 | CAP CER CHP 470PF 50V 10% |
| C484 | 2113945A05 | CAP CER CHP 470PF 50V 10% |
| C490 | 2113945A05 | CAP CER CHP 470PF 50V 10% |
| C491 | 2113945A05 | CAP CER CHP 470PF 50V 10% |
| C492 | 2113945A05 | CAP CER CHP 470PF 50V 10% |
| C493 | 2113944A40 | CAP CER CHP 100.0PF 50V 5% |
| C494 | 2113944A40 | CAP CER CHP 100.0PF 50V 5% |
| C495 | 2113945A05 | CAP CER CHP 470PF 50V 10% |
| C496 | 2113945A05 | CAP CER CHP 470PF 50V 10% |
| C497 | 2113945A05 | CAP CER CHP 470PF 50V 10% |
| C498 | NOTPLACED | - |
| C500 | 2113946B04 | CAP CER CHP 0.10UF 10V 10% |
| C502 | 2313960A55 | CAP TANT 0.47 UF 10% 25V 3216-18 |

| Circuit Ref | Motorola Part No. | Description |
|-------------|-------------------|-------------------------------|
| C503 | 2113944A40 | CAP CER CHP 100.0PF 50V 5% |
| C505 | 2113944A40 | CAP CER CHP 100.0PF 50V 5% |
| C511 | 2113944A40 | CAP CER CHP 100.0PF 50V 5% |
| C512 | 2113944A40 | CAP CER CHP 100.0PF 50V 5% |
| C513 | 2113944A40 | CAP CER CHP 100.0PF 50V 5% |
| C514 | 2113944A40 | CAP CER CHP 100.0PF 50V 5% |
| C520 | 2113945B02 | CAP CER CHP 10,000PF 25V 10% |
| C521 | 2113945B02 | CAP CER CHP 10,000PF 25V 10% |
| C522 | 2113945B02 | CAP CER CHP 10,000PF 25V 10% |
| C523 | 2113945B02 | CAP CER CHP 10,000PF 25V 10% |
| C535 | 2113945A09 | CAP CER CHP 1000PF 50V 10% |
| C610 | 2113944A40 | CAP CER CHP 100.0PF 50V 5% |
| C611 | 2113944A40 | CAP CER CHP 100.0PF 50V 5% |
| C612 | 2113944A40 | CAP CER CHP 100.0PF 50V 5% |
| C613 | 2113944A40 | CAP CER CHP 100.0PF 50V 5% |
| C615 | 2113944A40 | CAP CER CHP 100.0PF 50V 5% |
| C616 | 2113944A40 | CAP CER CHP 100.0PF 50V 5% |
| C618 | 2113944A40 | CAP CER CHP 100.0PF 50V 5% |
| C619 | 2113944A40 | CAP CER CHP 100.0PF 50V 5% |
| C620 | 2113944A40 | CAP CER CHP 100.0PF 50V 5% |
| C621 | 2113944A40 | CAP CER CHP 100.0PF 50V 5% |
| C622 | 2113944A40 | CAP CER CHP 100.0PF 50V 5% |
| CR3201 | 4813974A19 | Diode Schottky Barrier Series |
| CR3202 | 4815047H01 | Diode,SWG,DAN235EFTL,,,,,3 5V |
| CR3203 | 4815047H01 | Diode,SWG,DAN235EFTL,,,,,3 5V |
| CR3301 | 4802245J42 | Ring Quad Diode SOT-143 PKG |

| Circuit Ref | Motorola Part No. | Description |
|-------------|-------------------|--|
| CR3302 | 4815129H01 | Diode Dual Bonds RH |
| CR3303 | 4815048H01 | Diode,SHTK,MMBD353LT1,S M,,,7V |
| CR411 | 4815067H01 | Diode Array,SWG,RB731UFT108,S MD,,1M |
| CR412 | 4815067H01 | Diode Array,SWG,RB731UFT108,S MD,,1M |
| CR413 | 4815067H01 | Diode Array,SWG,RB731UFT108,S MD,,1M |
| CR440 | 4813978C02 | PB Free, Not Completely Enriched RECTIFIER |
| CR501 | 4815155H01 | Diode Red/yel |
| CR503 | 4805729G49 | Diode Dual 75V A2X |
| D104 | 4813978C06 | MMBD2836LT1 |
| D3301 | 4815276H01 | Varactor Diode From Infineon |
| D3302 | 4815276H01 | Varactor Diode From Infineon |
| D3521 | 4880973Z02 | Pin Diode |
| D3551 | 4880973Z02 | Pin Diode |
| D3701 | 4815011H01 | Diode,SWG,,,,,300MA,80V |
| D3702 | 4815011H01 | Diode,SWG,,,,,300MA,80V |
| D3761 | 4815072H01 | Diode,VCTR,1SV232,,,,,30V |
| D3821 | 4815071H01 | Diode,VCTR,1SV228,,,,,15V |
| D3831 | 4815071H01 | Diode,VCTR,1SV228,,,,,15V |
| D3832 | 4815264H01 | Diode Varactor From Toshiba |
| D601 | 4880479U01 | LED |
| D602 | 4880479U01 | LED |
| D603 | 4880479U01 | LED |
| D604 | 4880479U01 | LED |
| D605 | 4880479U01 | LED |
| D606 | 4880479U01 | LED |
| E400 | 2480640Z01 | Surface Mount Ferrite Bead |
| E401 | 2480640Z01 | Surface Mount Ferrite Bead |
| E402 | 2480640Z01 | Surface Mount Ferrite Bead |
| E403 | 2480640Z01 | Surface Mount Ferrite Bead |
| E404 | 2480640Z01 | Surface Mount Ferrite Bead |
| E405 | 2480640Z01 | Surface Mount Ferrite Bead |
| E406 | 2480640Z01 | Surface Mount Ferrite Bead |
| E407 | 2480640Z01 | Surface Mount Ferrite Bead |
| E408 | 2480640Z01 | Surface Mount Ferrite Bead |
| E409 | 2480640Z01 | Surface Mount Ferrite Bead |
| E634 | 2480640Z01 | Surface Mount Ferrite Bead |
| E637 | 2480640Z01 | Surface Mount Ferrite Bead |
| E638 | 2480640Z01 | Surface Mount Ferrite Bead |
| E639 | 2480640Z01 | Surface Mount Ferrite Bead |
| E640 | 2480640Z01 | Surface Mount Ferrite Bead |
| E641 | 2480640Z01 | Surface Mount Ferrite Bead |
| E642 | 2480640Z01 | Surface Mount Ferrite Bead |

| Circuit Ref | Motorola Part No. | Description |
|-------------|-------------------|---|
| E643 | 2480640Z01 | Surface Mount Ferrite Bead |
| E644 | 2480640Z01 | Surface Mount Ferrite Bead |
| E645 | 2480640Z01 | Surface Mount Ferrite Bead |
| F501 | 6515076H01 | FUSE,FST BLW,3A,24V,FUSE CHIP SMT T |
| FL401 | 4870368G02 | Reflowable Clock OSC XTAL |
| H3501 | 2680499Z02 | Heat Spreader |
| J3501 | 0985613Z01 | Jack,RF |
| J3502 | 0280519Z02 | Nut, Antenna |
| J400 | 0915064H03 | Connector, ZIF (40 PINS) |
| J403 | 0915064H02 | CONN,CONN,F,20CONT,,CO NNECTOR, ZIF |
| J601 | 0980521Z03 | CONN, ZIF Vertical, 40PINS |
| J602 | 0915064H01 | CONN,CONN,F,18CONT,,CO NNECTOR, ZIF |
| L3200 | 2415045H01 | Fixed Induc- tor,CHIP,680NH,5%,50MA,, |
| L3202 | 2415042H03 | Fixed Induc- tor,RF,1.2UH,2%,,CER,,, |
| L3203 | 2415045H01 | Fixed Induc- toR,CHIP,680NH,5%,50MA,, |
| L3270 | 2462587N68 | CHIP IND 1000 NH 5% |
| L3301 | 2415013H02 | Fixed Induc- tor,CHIP,120NH,5%,850MA, |
| L3303 | 2415013H02 | Fixed Induc- tor,CHIP,120NH,5%,850MA, |
| L3304 | 2462587T23 | IND CHIP 470NH 5% LOW PRO |
| L3305 | 2415013H02 | Fixed Induc- tor,CHIP,120NH,5%,850MA, |
| L3306 | 2415013H02 | Fixed Induc- tor,chip,120NH,5%,850MA, |
| L3308 | 2415013H01 | Fixed Induc- tor,CHIP,100NH,5%,850MA, |
| L3309 | 2462587N55 | CHIP IND 150 NH 5% |
| L3312 | 2415043H02 | Fixed Induc- tor,RF,33NH,5%,,S |
| L3501 | 2415016H01 | IDCTR,CHIP,5.6NH,5%,1A,,C ER,,,,SM |
| L3503 | 2415043H03 | Fixed Induc- tor,RF,68NH,5%,,CER,,, |
| L3504 | 2415015H02 | IDCTR,CHIP,6.8NH,5%,1A,.1 6OHM,CER,, |
| L3511 | 2415042H01 | Fixed Induc- tor,RF,18NH,5%,,CER,,, |
| L3512 | 2479990B01 | Air Wound Coil/Green Color 11.03NH |
| L3513 | 2479990A02 | Air Wound Coil/Green Color 7.66NH |

| Circuit Ref | Motorola Part No. | Description |
|-------------|-------------------|---|
| L3515 | 2479990C03 | Air Wound Coil/Green Color 13.85NH |
| L3518 | NOTPLACED | - |
| L3519 | 2484657R01 | INDUCTOR BEAD CHIP |
| L3521 | 2479990A02 | Air Wound Coil/Green Color 7.66NH |
| L3522 | 2.48E+07 | Coil Air Wound/Green Color 23.75 |
| L3523 | 2462587N68 | CHIP IND 1000 NH 5% |
| L3531 | 2479990N01 | Air Wound Coil/Green Color 43.67NH |
| L3532 | 2479990N01 | Air Wound Coil/Green Color 43.67NH |
| L3538 | 2479990M01 | Air Wound Coil/Green Color 30.54NH |
| L3551 | 2479990N01 | Air Wound Coil/Green Color 43.67NH |
| L3552 | 2479990A02 | Air Wound Coil/Green Color 7.66NH |
| L3701 | 2462587Q42 | IND CHIP 390NH 10% |
| L3731 | 2462587Q20 | IND CHIP 2,200NH 20% |
| L3801 | 2415043H04 | IDCTR,CHIP,100NH,5%,500 MA,,CER |
| L3809 | 2415043H01 | Fixed Induc- tor,RF,27NH,5%,,CER,,, |
| L3811 | 2415043H04 | IDCTR,CHIP,100NH,5%,500 MA,,CER |
| L3812 | 2415043H04 | IDCTR,CHIP,100NH,5%,500 MA,,CER |
| L3813 | 2462587Q47 | IND CHIP 1000 NH 10% |
| L3816 | 2415043H04 | IDCTR,CHIP,100NH,5%,500 MA,,CER |
| L3821 | 2415042H02 | Fixed Induc- tor,RF,56NH,,CER,,,, |
| L3822 | 2415015H01 | IDCTR,CHIP,47NH,5%,1A,.16 OHM,CER,, |
| L3823 | 2415015H01 | IDCTR,CHIP,47NH,5%,1A,.16 OHM,CER,, |
| L3824 | 2462587N68 | CHIP IND 1000 NH 5% |
| L3825 | 2415043H04 | IDCTR,CHIP,100NH,5%,500 MA,,CER |
| L3826 | 2462587N68 | CHIP IND 1000 NH 5% |
| L3831 | 2415042H02 | Fixed Induc- tor,RF,56NH,,CER,,,, |
| L3832 | 2415015H02 | IDCTR,CHIP,6.8NH,5%,1A,.1 6OHM,CER,, |
| L3833 | 2415042H02 | Fixed Induc- tor,RF,56NH,,CER,,,, |
| L3834 | 2462587N68 | CHIP IND 1000 NH 5% |
| L400 | 2462587Q42 | IND CHIP 390NH 10% |
| L401 | 2462587Q42 | IND CHIP 390NH 10% |

| Circuit Ref | Motorola Part No. | Description |
|-------------|-------------------|--|
| L410 | 2462587Q42 | IND CHIP 390NH 10% |
| L411 | 2462587Q42 | IND CHIP 390NH 10% |
| L505 | 2462587Q42 | IND CHIP 390NH 10% |
| PB501 | 4086470Z01 | Tact Switch |
| PB502 | 4086470Z01 | Tact Switch |
| PB503 | 4086470Z01 | Tact Switch |
| PB504 | 4086470Z01 | Tact Switch |
| PB505 | 4086470Z01 | Tact Switch |
| Q3200 | 4802197J95 | RF Transistor PBR941 |
| Q3270 | 4813973M07 | TSTR NPN 40V .2A GEN PURP |
| Q3301 | 4815056H01 | XSTR,BIP GP SS,,NPN,MMBT3904LT1G,S O |
| Q3302 | 4802197J95 | RF Transistor PBR941 |
| Q3501 | 4813976A01 | TSTR, 175 MHZ, 8W, 7.5V, PLD 1.5 |
| Q3561 | 4813973A13 | XSTR,BIP GP SS,,PNP,,TO- 236,SOT-23, |
| Q3721 | 4815055H01 | XSTR,GEN Purpose Small SIG,,NPN AND |
| Q3801 | 4802197J95 | RF Transistor PBR941 |
| Q400 | 4815069H02 | TSTR MOSFET P-CHAN |
| Q403 | 4813973A13 | XSTR,BIP GP SS,,PNP,,TO- 236,SOT-23, |
| Q405 | 4815066H01 | XSTR,OTHR,,UMG5NFTR,,, ,,250MHZ |
| Q410 | 4815066H01 | XSTR,OTHR,,UMG5NFTR,,, ,,250MHZ |
| Q416 | 4815069H02 | TSTR MOSFET P-CHAN |
| Q417 | 4815055H01 | XSTR,GEN Purpose Small SIG,,NPN AND |
| Q502 | 4815154H01 | DUAL TRANS NPN |
| Q505 | 4815056H01 | XSTR,BIP GP SS,,NPN,MMBT3904LT1G,S O |
| Q601 | 4815125H01 | SOT STR RH Low Profile MMBT |
| Q602 | 4815056H01 | XSTR,BIP GP SS,,NPN,MMBT3904LT1G,S O |
| Q603 | 4815056H01 | XSTR,BIP GP SS,,NPN,MMBT3904LT1G,S O |
| R3200 | 0613952Q71 | CER CHIP RES 820 OHM 5% 0402 |
| R3201 | 0613952Q68 | CER CHIP RES 620 OHM 5% 0402 |
| R3202 | 0613952R11 | CER CHIP RES 27K OHM 5% 0402 |

| Circuit Ref | Motorola Part No. | Description |
|-------------|-------------------|-----------------------------------|
| R3203 | 0613952R03 | CER CHIP RES 12K OHM 5% 0402 |
| R3204 | 0613952Q89 | CER CHIP RES 4700 OHM 5% 0402 |
| R3205 | 0613952R08 | CER CHIP RES 20K OHM 5% 0402 |
| R3206 | 0613952Q72 | CER CHIP RES 910 OHM 5% 0402 |
| R3207 | 0613952R03 | CER CHIP RES 12K OHM 5% 0402 |
| R3208 | 0613952R08 | CER CHIP RES 20K OHM 5% 0402 |
| R3209 | 0613952R15 | CER CHIP RES 39K OHM 5% 0402 |
| R3211 | 0613952R15 | CER CHIP RES 39K OHM 5% 0402 |
| R3212 | 0613952R08 | CER CHIP RES 20K OHM 5% 0402 |
| R3213 | 0613952R03 | CER CHIP RES 12K OHM 5% 0402 |
| R3214 | 0613952Q33 | CER CHIP RES 22.0 OHM 5% 0402 |
| R3215 | 0613952R66 | CER CHIP RES 0.0 +/-0.050 OHM |
| R3220 | NOTPLACED | - |
| R3221 | 0613952Q42 | CER CHIP RES 51.0 OHM 5% 0402 |
| R3222 | 0613952Q69 | CER CHIP RES 680 OHM 5% 0402 |
| R3223 | 0613952N09 | CER CHIP RES 12.1K OHM 1% 0402 |
| R3224 | 0613952N01 | CER CHIP RES 10.0K OHM 1% 0402 |
| R3226 | 0613952Q63 | CER CHIP RES 390 OHM 5% 0402 |
| R3270 | 0613952Q73 | CER CHIP RES 1000 OHM 5% 0402 |
| R3271 | NOTPLACED | - |
| R3273 | 0613952R05 | CER CHIP RES 15K OHM 5% 0402 |
| R3274 | 0613952Q79 | CER CHIP RES 1800 OHM 5% 0402 |
| R3275 | 0613952Q75 | CER CHIP RES 1200 OHM 5% 0402 |
| R3276 | 0613952R25 | CER CHIP RES 100K OHM 5% 0402 |
| R3301 | NOTPLACED | - |
| R3303 | 0613952R25 | CER CHIP RES 100K OHM 5% 0402 |
| R3304 | 0613952R25 | CER CHIP RES 100K OHM 5% 0402 |

| Circuit Ref | Motorola Part No. | Description | Circuit Ref | Motorola Part No. | Description | Circuit Ref | Motorola Part No. | Description | Circuit Ref | Motorola Part No. | Description |
|-------------|-------------------|-------------------------------|-------------|-------------------|-------------------------------|-------------|-------------------|-------------------------------|-------------|-------------------|-------------------------------|
| R3305 | 0613952R17 | CER CHIP RES 47K OHM 5% 0402 | R3541 | 0613952R15 | CER CHIP RES 39K OHM 5% 0402 | R372 | 0613952R30 | CER CHIP RES 160K OHM 5% 0402 | R3818 | NOTPLACED | - |
| R3306 | 0613952Q81 | CER CHIP RES 2200 OHM 5% 0402 | R3542 | 0613952Q91 | CER CHIP RES 5600 OHM 5% 0402 | R3721 | 0613952Q65 | CER CHIP RES 470 OHM 5% 0402 | R3821 | 0613952Q57 | CER CHIP RES 220 OHM 5% 0402 |
| R3307 | 0613952R13 | CER CHIP RES 33K OHM 5% 0402 | R3543 | 0613952Q49 | CER CHIP RES 100 OHM 5% 0402 | R3722 | 0613952Q67 | CER CHIP RES 560 OHM 5% 0402 | R3822 | 0613952Q41 | CER CHIP RES 47.0 OHM 5% 0402 |
| R3308 | 0613952Q77 | CER CHIP RES 1500 OHM 5% 0402 | R3544 | 0613952H49 | CER CHIP RES 100 OHM 5% 0603 | R3723 | 0613952Q49 | CER CHIP RES 100 OHM 5% 0402 | R3823 | 0613952R13 | CER CHIP RES 33K OHM 5% 0402 |
| R3309 | 0613952Q94 | CER CHIP RES 7500 OHM 5% 0402 | R3545 | 0613952H49 | CER CHIP RES 100 OHM 5% 0603 | R3726 | NOTPLACED | - | R3824 | 0613952R09 | CER CHIP RES 22K OHM 5% 0402 |
| R3310 | 0613952Q83 | CER CHIP RES 2700 OHM 5% 0402 | R3546 | 0613952R03 | CER CHIP RES 12K OHM 5% 0402 | R3727 | 0613952R25 | CER CHIP RES 100K OHM 5% 0402 | R3825 | 0613952Q37 | CER CHIP RES 33.0 OHM 5% 0402 |
| R3311 | NOTPLACED | - | R3547 | 0613952R13 | CER CHIP RES 33K OHM 5% 0402 | R373 | NOTPLACED | - | R3826 | 0613952Q31 | CER CHIP RES 18.0 OHM 5% 0402 |
| R3312 | 0613952Q18 | CER CHIP RES 5.1 OHM 5% 0402 | R3548 | 0613952R09 | CER CHIP RES 22K OHM 5% 0402 | R374 | 0613952R25 | CER CHIP RES 100K OHM 5% 0402 | R3828 | 0613952Q49 | CER CHIP RES 100 OHM 5% 0402 |
| R3313 | 0613952Q39 | CER CHIP RES 39.0 OHM 5% 0402 | R3551 | 0613952Q39 | CER CHIP RES 39.0 OHM 5% 0402 | R3741 | 0613952Q49 | CER CHIP RES 100 OHM 5% 0402 | R3829 | 0613952R66 | CER CHIP RES 0.0 +/-0.050 OHM |
| R3314 | 0613952Q34 | CER CHIP RES 24.0 OHM 5% 0402 | R3561 | 0613952R03 | CER CHIP RES 12K OHM 5% 0402 | R375 | NOTPLACED | - | R3830 | NOTPLACED | - |
| R3315 | 0613952Q61 | CER CHIP RES 330 OHM 5% 0402 | R3562 | 0613952R13 | CER CHIP RES 33K OHM 5% 0402 | R3751 | 0613952R32 | CER CHIP RES 200K OHM 5% 0402 | R3831 | 0613952R01 | CER CHIP RES 10K OHM 5% 0402 |
| R3316 | 0613952Q65 | CER CHIP RES 470 OHM 5% 0402 | R3563 | 0613952R35 | CER CHIP RES 270K OHM 5% 0402 | R3752 | 0613952R31 | CER CHIP RES 180K OHM 5% 0402 | R3832 | 0613952R03 | CER CHIP RES 12K OHM 5% 0402 |
| R3317 | 0613952R25 | CER CHIP RES 100K OHM 5% 0402 | R3564 | 0613952R37 | CER CHIP RES 330K OHM 5% 0402 | R376 | 0613952R66 | CER CHIP RES 0.0 +/-0.050 OHM | R3833 | 0613952Q57 | CER CHIP RES 220 OHM 5% 0402 |
| R3318 | 0613952Q65 | CER CHIP RES 470 OHM 5% 0402 | R3565 | NOTPLACED | - | R3761 | 0613952R17 | CER CHIP RES 47K OHM 5% 0402 | R3834 | 0613952Q41 | CER CHIP RES 47.0 OHM 5% 0402 |
| R3319 | NOTPLACED | - | R3566 | NOTPLACED | - | R3762 | NOTPLACED | - | R3835 | 0613952R17 | CER CHIP RES 47K OHM 5% 0402 |
| R3320 | NOTPLACED | - | R3569 | 0613952Q91 | CER CHIP RES 5600 OHM 5% 0402 | R377 | 0613952R25 | CER CHIP RES 100K OHM 5% 0402 | R3836 | 0613952R01 | CER CHIP RES 10K OHM 5% 0402 |
| R3321 | 0613952Q42 | CER CHIP RES 51.0 OHM 5% 0402 | R3570 | 0613952R01 | CER CHIP RES 10K OHM 5% 0402 | R378 | 0613952R25 | CER CHIP RES 100K OHM 5% 0402 | R400 | 0613952R17 | CER CHIP RES 47K OHM 5% 0402 |
| R3322 | NOTPLACED | - | R3571 | 0613952H51 | CER CHIP RES 120 OHM 5% 0603 | R3801 | NOTPLACED | - | R401 | 0613952R66 | CER CHIP RES 0.0 +/-0.050 OHM |
| R3323 | 0613952R66 | CER CHIP RES 0.0 +/-0.050 OHM | R3572 | 0613952H51 | CER CHIP RES 120 OHM 5% 0603 | R3802 | 0613952Q49 | CER CHIP RES 100 OHM 5% 0402 | R402 | NOTPLACED | - |
| R3324 | 0613952Q57 | CER CHIP RES 220 OHM 5% 0402 | R3573 | 0613952H51 | CER CHIP RES 120 OHM 5% 0603 | R3803 | 0613952Q57 | CER CHIP RES 220 OHM 5% 0402 | R403 | NOTPLACED | - |
| R3501 | 0613952Q60 | CER CHIP RES 300 OHM 5% 0402 | R370 | NOTPLACED | - | R3804 | 0613952R01 | CER CHIP RES 10K OHM 5% 0402 | R405 | 0613952R66 | CER CHIP RES 0.0 +/-0.050 OHM |
| R3502 | 0613952Q31 | CER CHIP RES 18.0 OHM 5% 0402 | R3701 | 0613952Q49 | CER CHIP RES 100 OHM 5% 0402 | R3805 | 0613952R10 | CER CHIP RES 24K OHM 5% 0402 | R406 | 0613952R22 | CER CHIP RES 75K OHM 5% 0402 |
| R3503 | 0613952Q60 | CER CHIP RES 300 OHM 5% 0402 | R3702 | NOTPLACED | - | R3806 | 0613952Q33 | CER CHIP RES 22.0 OHM 5% 0402 | R407 | 0613952R21 | CER CHIP RES 68K OHM 5% 0402 |
| R3505 | 0613952Q61 | CER CHIP RES 330 OHM 5% 0402 | R3703 | 0613952Q53 | CER CHIP RES 150 OHM 5% 0402 | R3807 | NOTPLACED | - | R408 | NOTPLACED | - |
| R3506 | 0613952H15 | CER CHIP RES 3.9 OHM 5% 0603 | R3704 | 0613952Q53 | CER CHIP RES 150 OHM 5% 0402 | R3808 | 0613952Q25 | CER CHIP RES 10.0 OHM 5% 0402 | R409 | 0613952R01 | CER CHIP RES 10K OHM 5% 0402 |
| R3507 | 0613952H15 | CER CHIP RES 3.9 OHM 5% 0603 | R3705 | 0613952R13 | CER CHIP RES 33K OHM 5% 0402 | R3811 | 0613952Q49 | CER CHIP RES 100 OHM 5% 0402 | R410 | 0613952R25 | CER CHIP RES 100K OHM 5% 0402 |
| R3512 | NOTPLACED | - | R371 | 0613952R25 | CER CHIP RES 100K OHM 5% 0402 | R3812 | NOTPLACED | - | R411 | 0613952R01 | CER CHIP RES 10K OHM 5% 0402 |
| R3513 | NOTPLACED | - | | | | R3816 | 0613952Q73 | CER CHIP RES 1000 OHM 5% 0402 | R413 | 0613952R66 | CER CHIP RES 0.0 +/-0.050 OHM |
| R3519 | 0680539Z01 | Power Metal Strip Resistors | | | | R3817 | 0613952R66 | CER CHIP RES 0.0 +/-0.050 OHM | | | |

| Circuit Ref | Motorola Part No. | Description |
|-------------|-------------------|--------------------------------|
| R414 | 0613952P25 | CER CHIP RES 178K OHM 1% 0402 |
| R415 | 0613952N93 | CER CHIP RES 90.9K OHM 1% 0402 |
| R416 | 0613952R01 | CER CHIP RES 10K OHM 5% 0402 |
| R418 | 0613952R66 | CER CHIP RES 0.0 +/-0.050 OHM |
| R419 | 0613952Q66 | CER CHIP RES 510 OHM 5% 0402 |
| R420 | 0613952J73 | CER CHIP RES 10.0M OHM 5% 0603 |
| R421 | 0613952Q80 | CER CHIP RES 2000 OHM 5% 0402 |
| R423 | 0613952R23 | CER CHIP RES 82K OHM 5% 0402 |
| R424 | 0613952R14 | CER CHIP RES 36K OHM 5% 0402 |
| R425 | 0613952R12 | CER CHIP RES 30K OHM 5% 0402 |
| R426 | 0613952R37 | CER CHIP RES 330K OHM 5% 0402 |
| R427 | 0613952Q83 | CER CHIP RES 2700 OHM 5% 0402 |
| R428 | 0613952Q09 | CER CHIP RES 2.2 OHM 5% 0402 |
| R429 | 0613952R22 | CER CHIP RES 75K OHM 5% 0402 |
| R431 | 0613952R41 | CER CHIP RES 470K OHM 5% 0402 |
| R432 | 0613952R18 | CER CHIP RES 51K OHM 5% 0402 |
| R434 | 0613952Q61 | CER CHIP RES 330 OHM 5% 0402 |
| R435 | 0613952Q80 | CER CHIP RES 2000 OHM 5% 0402 |
| R436 | 0613952R66 | CER CHIP RES 0.0 +/-0.050 OHM |
| R437 | NOTPLACED | - |
| R445 | 0613952R10 | CER CHIP RES 24K OHM 5% 0402 |
| R447 | 0613952R25 | CER CHIP RES 100K OHM 5% 0402 |
| R448 | 0613952R01 | CER CHIP RES 10K OHM 5% 0402 |
| R449 | 0613952R10 | CER CHIP RES 24K OHM 5% 0402 |
| R450 | 0613959Y45 | CER CHIP RES 68.0 OHM 5% 2512 |
| R451 | 0613952R05 | CER CHIP RES 15K OHM 5% 0402 |

| Circuit Ref | Motorola Part No. | Description |
|-------------|-------------------|--------------------------------------|
| R452 | 0613952R25 | CER CHIP RES 100K OHM 5% 0402 |
| R453 | NOTPLACED | - |
| R454 | NOTPLACED | - |
| R455 | NOTPLACED | - |
| R456 | 0613952R66 | CER CHIP RES 0.0 +/-0.050 OHM |
| R457 | 0613952R01 | CER CHIP RES 10K OHM 5% 0402 |
| R460 | 0613952Q89 | CER CHIP RES 4700 OHM 5% 0402 |
| R461 | 0613952Q55 | CER CHIP RES 180 OHM 5% 0402 |
| R462 | 0613952R01 | CER CHIP RES 10K OHM 5% 0402 |
| R463 | 0613952Q60 | CER CHIP RES 300 OHM 5% 0402 |
| R471 | 0613952R08 | CER CHIP RES 20K OHM 5% 0402 |
| R472 | 0613952Q92 | CER CHIP RES 6200 OHM 5% 0402 |
| R473 | 0613952Q25 | CER CHIP RES 10.0 OHM 5% 0402 |
| R475 | 0613952R66 | CER CHIP RES 0.0 +/-0.050 OHM |
| R476 | 0613952R37 | CER CHIP RES 330K OHM 5% 0402 |
| R477 | 0613952Q73 | CER CHIP RES 1000 OHM 5% 0402 |
| R478 | 0613952R01 | CER CHIP RES 10K OHM 5% 0402 |
| R479 | 0613952R66 | CER CHIP RES 0.0 +/-0.050 OHM |
| R481 | 0613952R10 | CER CHIP RES 24K OHM 5% 0402 |
| R492 | 0613952R66 | CER CHIP RES 0.0 +/-0.050 OHM |
| R498 | 0613952R01 | CER CHIP RES 10K OHM 5% 0402 |
| R499 | 0613952R01 | CER CHIP RES 10K OHM 5% 0402 |
| R501 | 0613952Q69 | CER CHIP RES 680 OHM 5% 0402 |
| R502 | 0613952Q55 | CER CHIP RES 180 OHM 5% 0402 |
| R505 | 0613952R01 | CER CHIP RES 10K OHM 5% 0402 |
| R506 | 0613952R17 | CER CHIP RES 47K OHM 5% 0402 |
| R601 | 0613952Z67 | RES,MF,51KOHM,1%,.0625 W,SM,0402,200 |

| Circuit Ref | Motorola Part No. | Description |
|-------------|-------------------|--------------------------------------|
| R602 | 0613952Z67 | RES,MF,51KOHM,1%,.0625 W,SM,0402,200 |
| R603 | 0613952N12 | CER CHIP RES 13.0K OHM 1% 0402 |
| R604 | 0613952Z58 | RES,MF,22KOHM,1%,.0625 W,SM,0402,200 |
| R605 | 0613952N62 | CER CHIP RES 43.2K OHM 1% 0402 |
| R606 | 0613952P12 | CER CHIP RES 130K OHM 1% 0402 |
| R607 | 0613952N12 | CER CHIP RES 13.0K OHM 1% 0402 |
| R608 | 0613952Z58 | RES,MF,22KOHM,1%,.0625 W,SM,0402,200 |
| R609 | 0613952N62 | CER CHIP RES 43.2K OHM 1% 0402 |
| R610 | 0613952P12 | CER CHIP RES 130K OHM 1% 0402 |
| R611 | 0613952R18 | CER CHIP RES 51K OHM 5% 0402 |
| R612 | 0613952R43 | CER CHIP RES 560K OHM 5% 0402 |
| R613 | 0613952R49 | CER CHIP RES 1.0M OHM 5% 0402 |
| R614 | 0613952R66 | CER CHIP RES 0.0 +/-0.050 OHM |
| R617 | 0613952R66 | CER CHIP RES 0.0 +/-0.050 OHM |
| R618 | 0613952Q73 | CER CHIP RES 1000 OHM 5% 0402 |
| R619 | 0613952Q73 | CER CHIP RES 1000 OHM 5% 0402 |
| R620 | 0613952Q73 | CER CHIP RES 1000 OHM 5% 0402 |
| R621 | 0613952Q73 | CER CHIP RES 1000 OHM 5% 0402 |
| R622 | 0613952Q73 | CER CHIP RES 1000 OHM 5% 0402 |
| R623 | 0613952Q73 | CER CHIP RES 1000 OHM 5% 0402 |
| R626 | 0613952R66 | CER CHIP RES 0.0 +/-0.050 OHM |
| R627 | 0613952R66 | CER CHIP RES 0.0 +/-0.050 OHM |
| R631 | 0613952R66 | CER CHIP RES 0.0 +/-0.050 OHM |
| R632 | 0613952R25 | CER CHIP RES 100K OHM 5% 0402 |
| R633 | 0613952R25 | CER CHIP RES 100K OHM 5% 0402 |

| Circuit Ref | Motorola Part No. | Description |
|-------------|-------------------|-------------------------------------|
| R646 | 0613952R25 | CER CHIP RES 100K OHM 5% 0402 |
| R647 | 0613952Q84 | CER CHIP RES 3000 OHM 5% 0402 |
| R648 | 0613952R25 | CER CHIP RES 100K OHM 5% 0402 |
| R649 | 0613952R17 | CER CHIP RES 47K OHM 5% 0402 |
| RT3301 | NOTPLACED | - |
| RT400 | 0680590Z01 | THERMISTOR_33K |
| S501 | 4080710Z21 | Switch, Frequency |
| S502 | 1880619Z04 | VOL POTENTIOMETER with hi temp cam |
| SH3202 | 2686539Z02 | IF Section Shield |
| SH3203 | 2686527Z02 | Shield, RFI/EMI, CRS, TIN |
| SH3301 | 2615144H01 | Shield For GSM Placement |
| SH3302 | 2615144H05 | Shield For GSM Placement |
| SH3303 | 2615144H06 | Shield For GSM Placement |
| SH3501 | 2615144H03 | Shield For GSM Placement |
| SH3502 | 2615144H04 | Shield For GSM Placement |
| SH3701 | 2680511Z02 | Shield, Synthesizer |
| SH3702 | 2680511Z02 | Shield, Synthesizer |
| SH3801 | 2680513Z02 | Shield, VCO Top |
| SH3802 | 2680514Z02 | Shield, VCO Bottom/LVZIF |
| SH400 | 2680505Z02 | Shield, Controller Top Left |
| SH401 | 2680506Z02 | Shield, Controller Top Right |
| SH402 | 2680515Z02 | Shield, Controller Bottom Left |
| SH403 | 2680516Z02 | Shield, Controller BTM Right |
| T3301 | 2515121H01 | Balun, Transformer |
| T3302 | 2515121H01 | Balun, Transformer |
| U303 | 5114005A01 | IC LOW Cost SING SPLY LM2904DR |
| U3201 | 5115019H01 | IC,LOW Dropout,,SOT-23,SOT-23 |
| U3220 | 5115281H01 | FM IF IC SA616 FROM PHILIPS |
| U3221 | 5115070H01 | IC,INVTR,,TC7W04FU,,SSOP |
| U3501 | 5115678H01 | VHF/UHF/800/900 MHZ LDMOS Driver IC |
| U3502 | 5185765B26 | IC PWR CTRL IN MOS20 |
| U3503 | 5115022H01 | IC,TEMP SENS,LM50C,SM,SOT-23 |
| U3701 | 5115060H01 | IC,FREQ SYN,,AT24701-OT4X |
| U3711 | 5115026H01 | IC,Low Dropout,,SM,SOT-23/6,,,,,P |
| U3801 | 5105750U56 | IC PKG DIE VCO Buffer |
| U400 | 5115012H01 | IC,ADJ LOW DROP-OUT,,SM,,,,,,POS P |
| U404 | 5115062H01 | IC,CUST,,,,,TQFP48 |
| U405 | NOTPLACED | - |

| Circuit Ref | Motorola Part No. | Description |
|-------------|-------------------|-------------------------------------|
| U406 | 5115250H02 | Need CGISS Description In ICCS |
| U407 | 5115033H01 | IC,EEPROM,,16K X 8,,SM |
| U409 | 5.19E+09 | IC,MICROP,,QFP,QFP100,,3.7MHZ |
| U410 | 5102463J57 | Regulator 3.3V, ILC7062CM-33 |
| U420 | 5115280H01 | Audio Amplifier TDA8547TS |
| U602 | 5115014H01 | IC,COMPTR,,SM,SOT-23/5 |
| VR3501 | 4815068H01 | Diode Array,ZEN,MMBZ5242BLT1G,SM,, |
| VR432 | 4815057H01 | Diode Array,ZEN,MMQA5V6T1,SM,,3A,5. |
| VR433 | 4815057H01 | Diode Array,ZEN,MMQA5V6T1,SM,,3A,5. |
| VR434 | 4815038H01 | Diode Array,ZEN,,SM,SOD-323,,6.93V, |
| VR439 | 4815068H01 | Diode Array,ZEN,MMBZ5242BLT1G,SM,, |
| VR440 | NOTPLACED | - |
| VR441 | NOTPLACED | - |
| VR442 | NOTPLACED | - |
| VR444 | NOTPLACED | - |
| VR447 | 4815039H01 | Diode Array,ZEN,MM3Z10VT1G,SM,,10V |
| VR448 | 4815039H01 | Diode Array,ZEN,MM3Z10VT1G,SM,,10V |
| VR449 | 4815039H01 | Diode Array,ZEN,MM3Z10VT1G,SM,,10V |
| VR450 | 4815040H01 | Diode Array,ZEN,MM3Z12VT1G,SM,,12 |
| VR460 | 4815038H01 | Diode Array,ZEN,,SM,SOD-323,,6.93V, |
| VR501 | 4815038H01 | Diode Array,ZEN,,SM,SOD-323,,6.93V, |
| VR506 | 4815038H01 | Diode Array,ZEN,,SM,SOD-323,,6.93V, |
| Y3200 | 9180022M11 | XTAL Filter 44.85MHZ |
| Y3201 | 4802245J84 | XTAL 44.395MHz, 3RD OT, SMD |
| Y3202 | 9186145B02 | CER.DISCR. CDBCA455CX36-TC |
| Y3203 | 9115811H03 | SMD455KHZ 6 ELEMENT |
| Y3204 | 9115811H01 | SMD455KHZ 6 ELEMENT |

| Circuit Ref | Motorola Part No. | Description |
|-------------|-------------------|------------------------------|
| Y3205 | 9180468V05 | SMD455KHZ 4 ELEMENT CER FLTR |
| Y3761 | 4805875Z04 | Crystal 16.8 MHZ |
| | 8415112H01 | VHF PC Board |

